

INSPECTION FORM

LANYARDS

Owner/Company: _____
 Date of Inspection: _____
 In-Service Date: _____
 Inspector's Name: _____
 Signature: _____

Manufacturer: _____
 Model #: _____
 Description: _____
 Serial #: _____
 Lot #: _____ Date of Manufacture: _____
 Web Single leg lanyard Double leg lanyard

LABELS & MARKINGS	Pass	Fail	Note
Labels (Intact & Legible)	<input type="radio"/>	<input type="radio"/>	<input type="radio"/>
Appropriate ANSI/OSHA/CSA Markings Visible	<input type="radio"/>	<input type="radio"/>	<input type="radio"/>
Inspections Are Current / Up-to-date	<input type="radio"/>	<input type="radio"/>	<input type="radio"/>
Date of First Use Documented	<input type="radio"/>	<input type="radio"/>	<input type="radio"/>

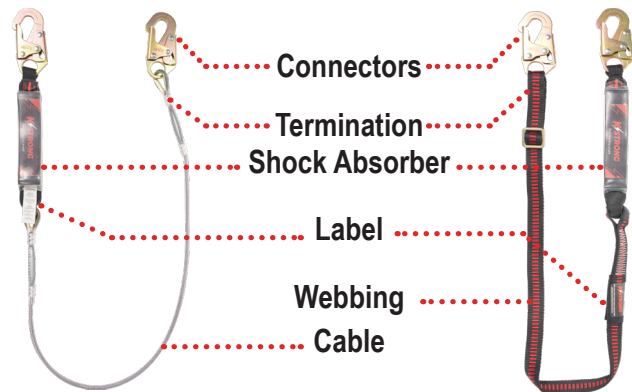
CONNECTORS	Pass	Fail	Note
Connector (Self-Closing & Locking)	<input type="radio"/>	<input type="radio"/>	<input type="radio"/>
Hook Gate / Rivets	<input type="radio"/>	<input type="radio"/>	<input type="radio"/>
Corrosion	<input type="radio"/>	<input type="radio"/>	<input type="radio"/>
Pitting / Nicks	<input type="radio"/>	<input type="radio"/>	<input type="radio"/>

MATERIAL (WEB OR CABLE)	Pass	Fail	Note
Broken / Missing / Loose Stitching	<input type="radio"/>	<input type="radio"/>	<input type="radio"/>
Termination (Stitch, Splice, or Swage)	<input type="radio"/>	<input type="radio"/>	<input type="radio"/>
Webbing Length	<input type="radio"/>	<input type="radio"/>	<input type="radio"/>
Cuts / Burns / Holes	<input type="radio"/>	<input type="radio"/>	<input type="radio"/>
Paint Damage	<input type="radio"/>	<input type="radio"/>	<input type="radio"/>
Cable Separating / Bird-Caging	<input type="radio"/>	<input type="radio"/>	<input type="radio"/>

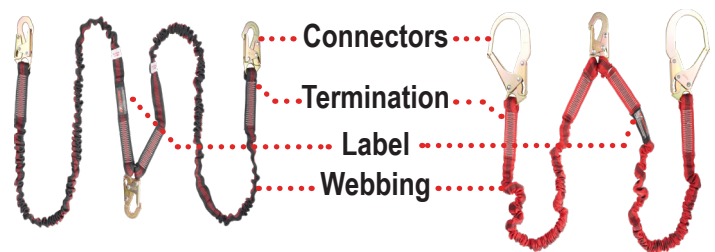
SHOCK PACK (IF PRESENT)	Pass	Fail	Note
Cover / Shrink Tube (Don't Cut or Remove)	<input type="radio"/>	<input type="radio"/>	<input type="radio"/>
Damage / Fraying / Broken Stitching	<input type="radio"/>	<input type="radio"/>	<input type="radio"/>
Impact Indicator (Signs of Deployment)	<input type="radio"/>	<input type="radio"/>	<input type="radio"/>


NOTES

Single Leg Lanyard (External Shock)



Double Leg Lanyard (Internal shock & non-shock)






KStrong Compass™ App
 Intelligently Track & Inspect
 All Your Assets from Any
 Location