

KStrong® Bosun Chair with Padded Board, Padded Belt, Lifting D-rings, Tool Clips

Model: UFZ920011

DESIGN

- Features full size 23" x 11" plywood seat board
- Ideally suited for personnel riding or suspension work when combined with a backup fall arrest system.
- Includes integrated alloy steel suspension D-rings
- Seat board features built in molded EVA Cushion with polyester cover
- Equipped with back support grommeted waist belt with 7 adjustment positions
- Universal Size

WEBBING

Material: Polyester
Width: 1.73 in. ± 0.04 in. (44mm ± 1mm)
Breaking Strength: 5000 lbs.

STITCHING THREAD

Material: High-tenacity polyester

METAL COMPONENT

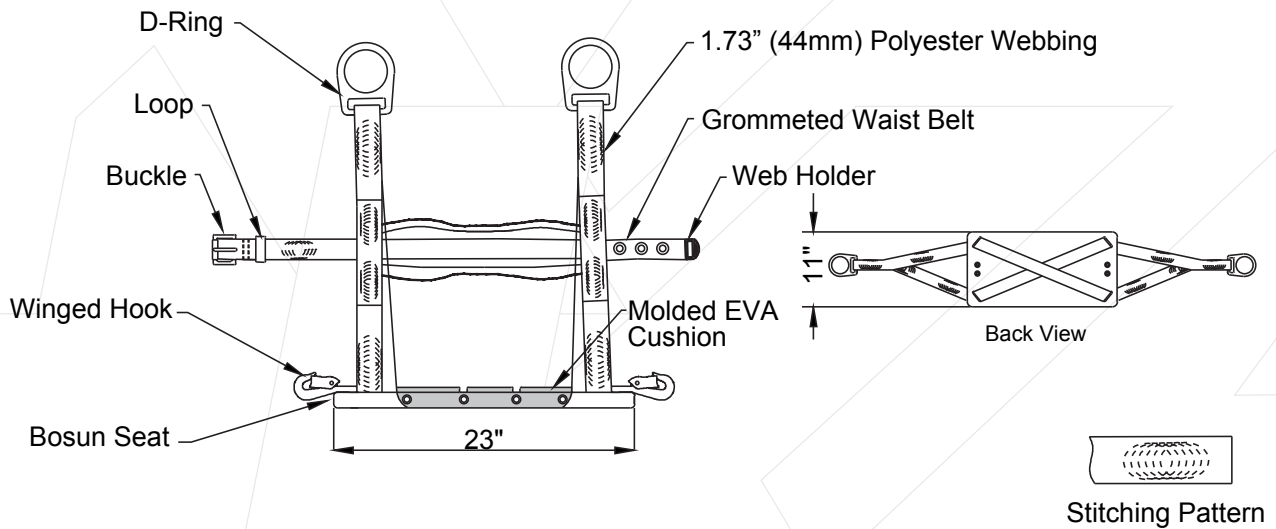
Material: Alloy Steel
Breaking strength: D-Ring - 23kN, Buckle - 15 kN
Finish: Golden Yellow Galvanized

WEIGHT

11.02 lbs. ± 0.02 lbs. (5000 gm ± 10 gm)

RELEVANT STANDARDS

Meets or Exceeds OSHA 1926.502 and 1910.66



Batch #: _____ Serial #: _____
Date of First Use: _____