

KStrong® Bosun Chair with Board, Lifting D-rings, Tool Clips

Model: UFZ920001

DESIGN

- Features full size 23" x 11" plywood seat board
- Ideally suited for personnel riding or suspension work when combined with a backup fall arrest system
- Includes integrated alloy steel suspension D-rings
- Universal Size

WEBBING

Material: Polyester
Width: 1.73 in. \pm 0.04 in. (44mm \pm 1mm)
Breaking Strength: 5000 lbs.

STITCHING THREAD

Material: High-tenacity polyester

METAL COMPONENT

Material: Alloy Steel
Breaking strength: D-Ring - 23kN
Finish: Golden Yellow Galvanized

SEAT COMPONENT

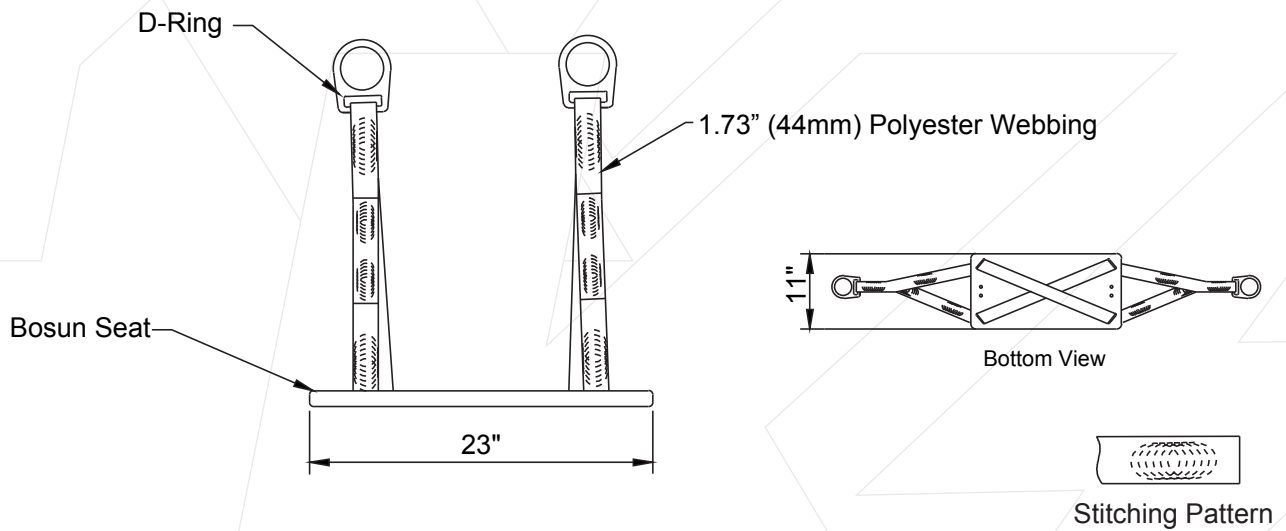
Base: Birch plywood
Cushion: Microfiber & Foam

WEIGHT

7.49 lbs. \pm 0.02 lbs. (3400 gm \pm 10 gm)

RELEVANT STANDARDS

Meets or Exceeds OSHA 1926.502 and 1910.66



Batch #: _____ Serial #: _____
Date of First Use: _____