

## KStrong® Oil and Gas Derrick Belly Belt with Two Connector Buckles

Model: UFZ910005

Oil and Gas Derrick Belly Belt with Two Connector Buckles

### DESIGN

- Belly belt is designed to be used with harness
- 7.87" (200mm) strap to provide wide coverage
- Equipped with mating frames connecting straps for the upper torso attachment
- Features 7 adjustment positions (grommets)
- Integrated fixed position Frontal D-rings ideally suited for throwing pipe in monkey board positioning applications

### WEBBING

Material: Polyester  
Width: 1.73 in.  $\pm$  0.04 in. (44mm  $\pm$  1mm)  
Breaking Strength: 5000 lbs.

### STITCHING THREAD

Material: High-tenacity polyester

### METAL COMPONENT

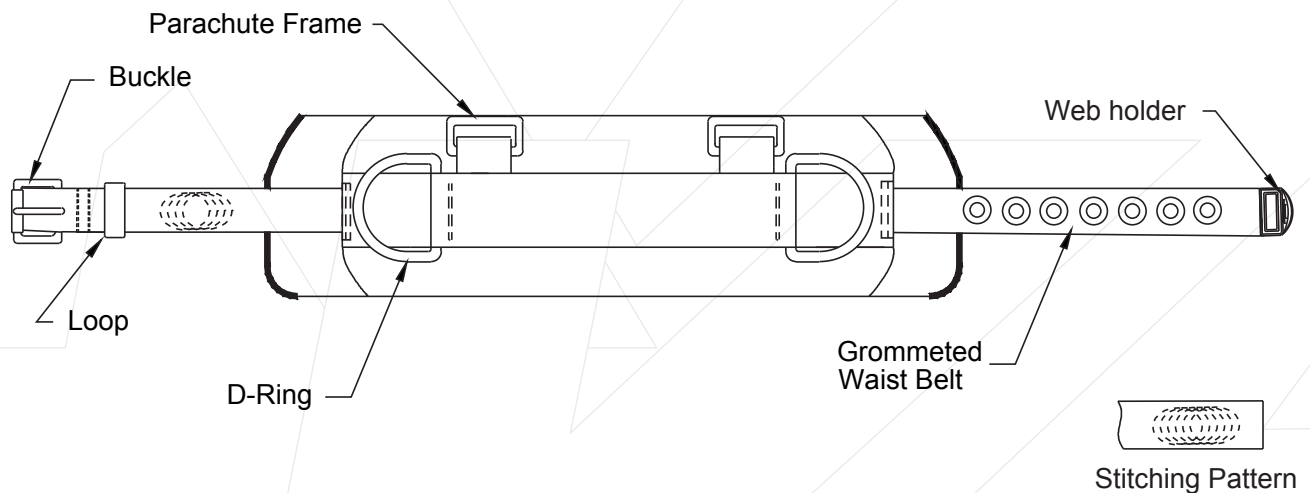
Material: Alloy Steel  
Breaking strength: Buckles -15 kN, D-Ring - 23kN  
Finish: Golden Yellow Galvanized

### WEIGHT

4.11 lbs.  $\pm$  0.02 lbs. (1865 gm  $\pm$  10 gm)

### RELEVANT STANDARDS

Meets or Exceeds OSHA 1926.502 and 1910.66



Batch #: \_\_\_\_\_ Serial #: \_\_\_\_\_  
Date of First Use: \_\_\_\_\_