

KStrong® Oil and Gas Derrick Belly Belt with Two Connector Straps

Model: UFZ910001

DESIGN

- Belly belt is designed to be used with harness
- 7.87" (200mm) strap to provide wide coverage
- Equipped with mating buckle connecting straps for the upper torso attachment
- Features 7 adjustment positions (grommets)
- Integrated fixed position Frontal D-rings ideally suited for throwing pipe in monkey board positioning applications

WEBBING

Material: Polyester
Width: 1.73 in. \pm 0.04 in. (44mm \pm 1mm)
Breaking Strength: 5000 lbs.

STITCHING THREAD

Material: High-tenacity polyester

METAL COMPONENT

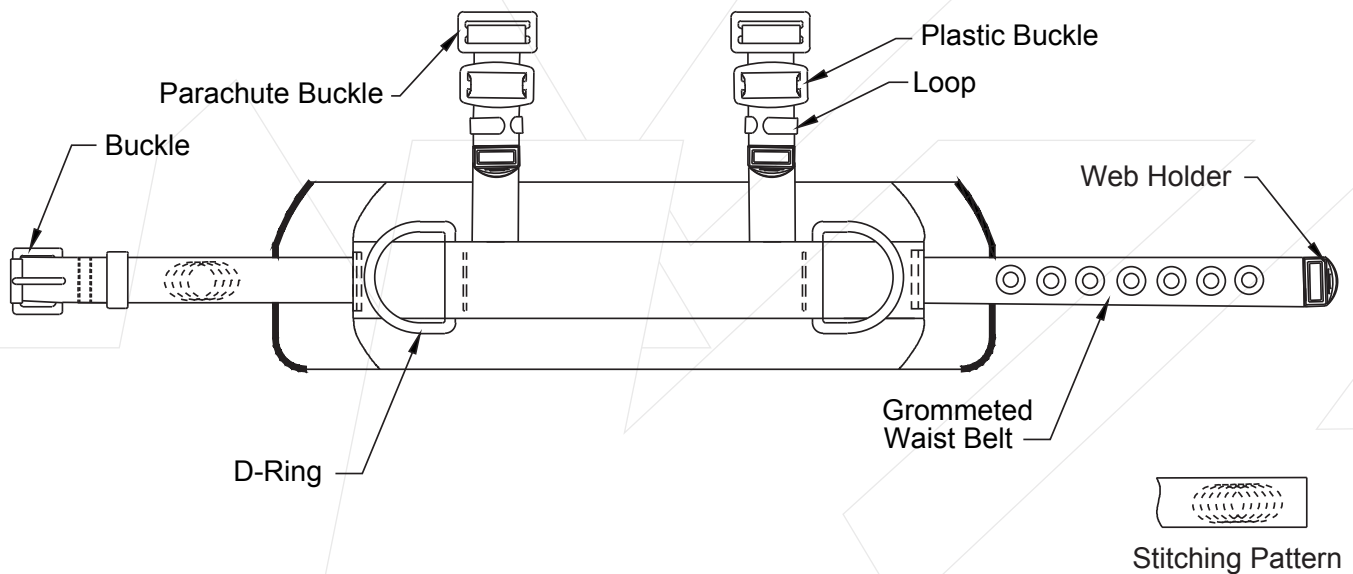
Material: Alloy Steel
Breaking strength: Buckles-15 kN, D-Ring - 23kN
Finish: Golden Yellow Galvanized

WEIGHT

4.25 lbs. \pm 0.02 lbs. (1930 gm \pm 10 gm)

RELEVANT STANDARDS

Meets or Exceeds OSHA 1926.502 and 1910.66



Batch #: _____ Serial #: _____
Date of First Use: _____