

KStrong® D-ring Extender with Carabiner and O-Ring (ANSI)

Model: UFZ802011C

18" D-ring Extender with UFC401101 Carabiner and O-Ring

DESIGN

1.18" (30mm) wide polyester webbing having loop with carabiner (UFC401101) at one end & O-Ring (OR003) at other end.

WEBBING

Material: Polyester
Width: 1.18 in. \pm 0.04 in. (30mm \pm 1mm)
Breaking strength: 6000 lbs.

STITCHING THREAD

Material: High-Tenacity Polyester.

METAL COMPONENTS

Material: Alloy Steel.
Finish: Silver or Golden Yellow Galvanized
Breaking Strength: 5000 lbs.

STATIC STRENGTH

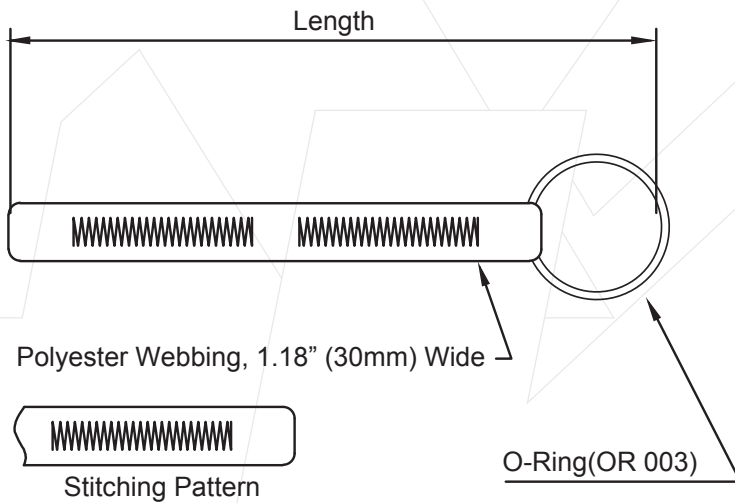
5000 lbs. for 1 Minute.

WEIGHT

1.12 lbs. \pm 0.02 lbs. (508 gm \pm 10 gm.)

RELEVANT STANDARDS

Meets or Exceeds ANSI Z359.1-2007



Meets or Exceeds ANSI Z359.1-2007

Length: 18 Inches

