

## KStrong® Kapture™ Epic Harness Removable Belt

KStrong® Kapture™ Epic Harness removable tool belt, same quality as that provided with an Epic Harness. Various sizes.

MODEL	LENGTH	WEIGHT
UFZ801011	54 in. (137.16cm)	0.71 lbs. ± 0.02 lbs. (320 gm ±10 gm)
UFZ801012	60 in. (152.4cm)	0.77 lbs. ± 0.02 lbs. (350 gm ±10 gm)

### DESIGN

- Made up of 1.73 in. (44mm) Polyester Webbing
- Equipped with Tongue Buckle and Grommets for Easy Fit

### WEBBING

Material: Polyester  
 Width: 1.73 in. ± 0.04 in. (44mm ± 1mm)  
 Breaking Strength: 5000 lbs.

### STITCHING THREAD

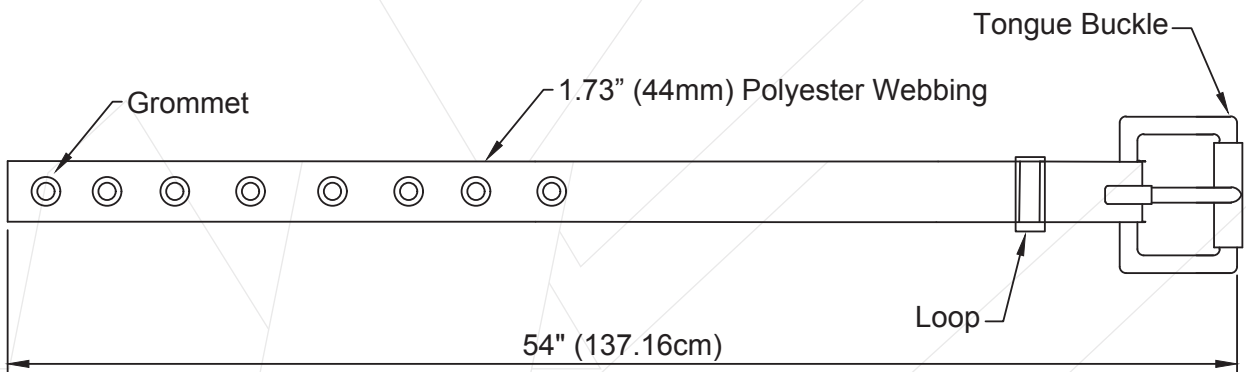
Material: High-tenacity polyester

### METAL COMPONENT

Material: Alloy Steel  
 Finish: Silver or Golden Yellow Galvanized  
 Breaking Strength: 15kN



Model: UFZ801011



Model: UFZ801012

