

## KStrong® Spreader Bar with Snap Hooks (ANSI)

Model: UFX903010

### DESIGN

- Made of 1.73" wide polyester webbing, both legs are equipped with a steel snap hook for connection to a harness or pilot chair
- Ideal for use in conjunction with harness for raising and lowering a person during rescue

### WEBBING

Material: Polyester  
Width: 1.73 in.  $\pm$  0.04 in. (44mm  $\pm$  1mm)  
Breaking Strength: 5000 lbs.

### STITCHING THREAD

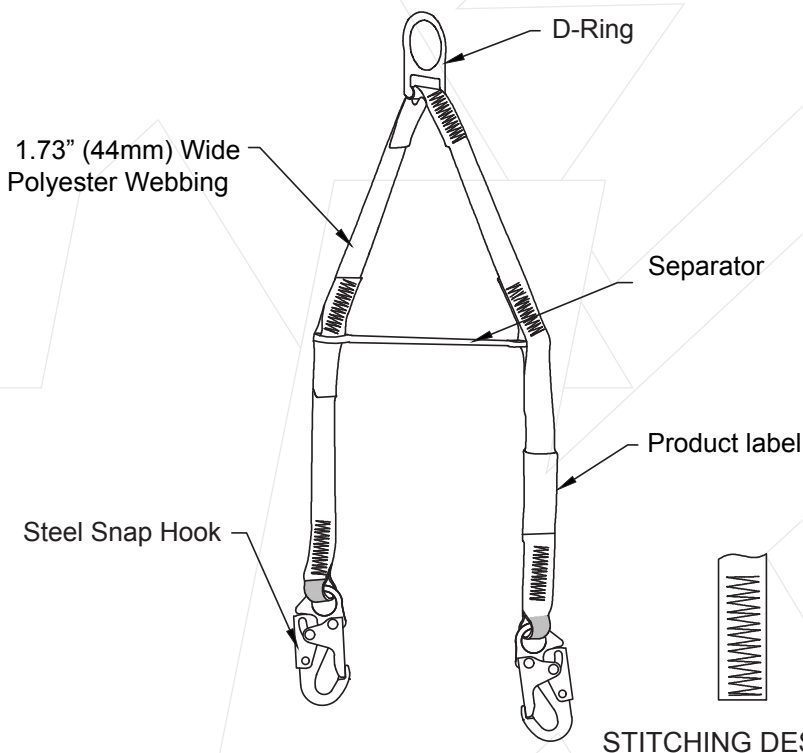
Material: High-tenacity Polyester.

### METAL COMPONENTS

Material: Alloy Steel  
Finish: Golden Yellow Galvanized  
Breaking Strength: 23 kN

### WEIGHT

3.46 lbs.  $\pm$  0.11 lbs. (1570gm  $\pm$  10gm)



Batch #: \_\_\_\_\_ Serial #: \_\_\_\_\_  
Date of First Use: \_\_\_\_\_