

KStrong® Megadavit™ Hitch Mount with Detent Pin

Model: UFT557101

DESIGN

- Hitch mounting sleeve portable fall arrest system provides a safe and secure system for easy access to confined space where overhead support structures are not available.
- Compatible with KStrong lower mast of Megadavit™ systems.
- The hitch mount sleeve is designed to fit into 2" (51mm) hitch receiver of any vehicle to provide a portable anchor point for confined space entry/retrieval, rescue and fall arrest system.

MATERIAL

Alloy Steel

MAXIMUM LOAD CAPACITY

1102 lbs. (500kgs)

FINISH

Powder Coated

SYSTEM STRENGTH

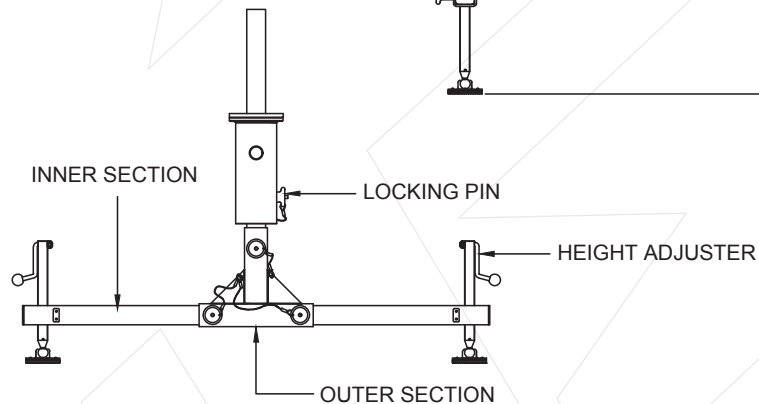
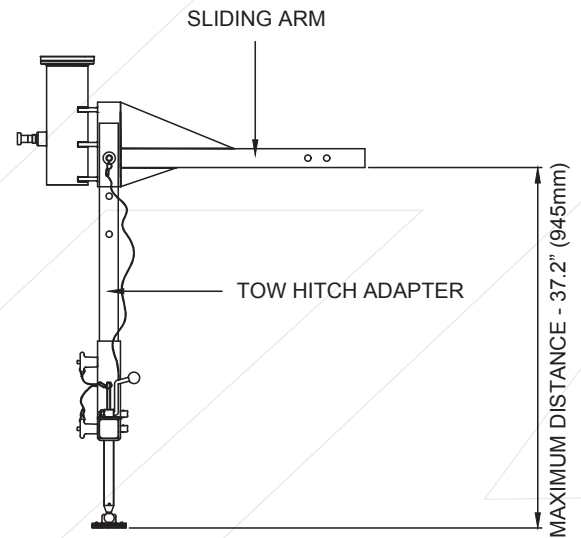
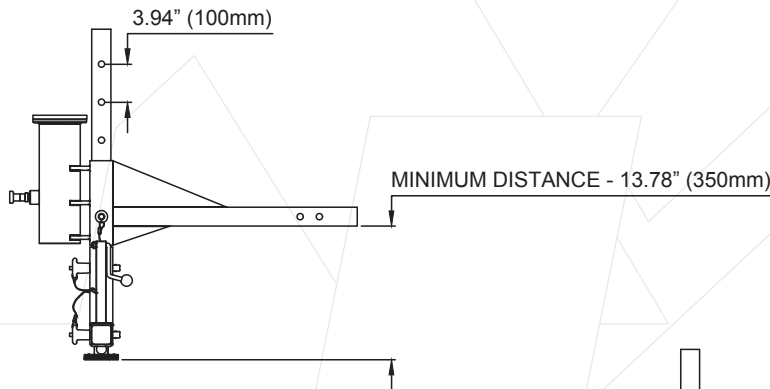
15 kN (3300 lbs) for 3 min.

WEIGHT

65.5 lbs ± 0.22 lbs (29.72kg ± 0.10 kg).

RELEVANT STANDARDS

Conforms to EN795:2012 Type B, AS/NZS 5532:2013



Batch #: _____ Serial #: _____
Date of First Use: _____