

KStrong® Side Entry Davit Assembly with Retrieval Device Bracket (High Strength Aluminum Alloy)

Model: UFT551080

DESIGN

- Ideal choice for access of confined space with help of Winches / Retrieval units, where regular anchorage system could not be used due to limited height constrained.
- Three adjustment points make it versatile to be used in various locations where anchor is at low level.
- Swivel eye at the end of cantilever to be attached to rated anchor point.
- Base with swivel pads for making the system level with the ground.
- Comes with preinstalled mounting brackets which are compatible with KStrong winches or retrieval blocks.
- It can be use for side gantry holes of confined space.
- Can also be used in both vertical & horizontal confined space entries.

PHYSICAL PARAMETERS

Body made up of high strength Aluminum Alloy

MAXIMUM LOAD CAPACITY

1102 lbs. (500kgs)

FINISH

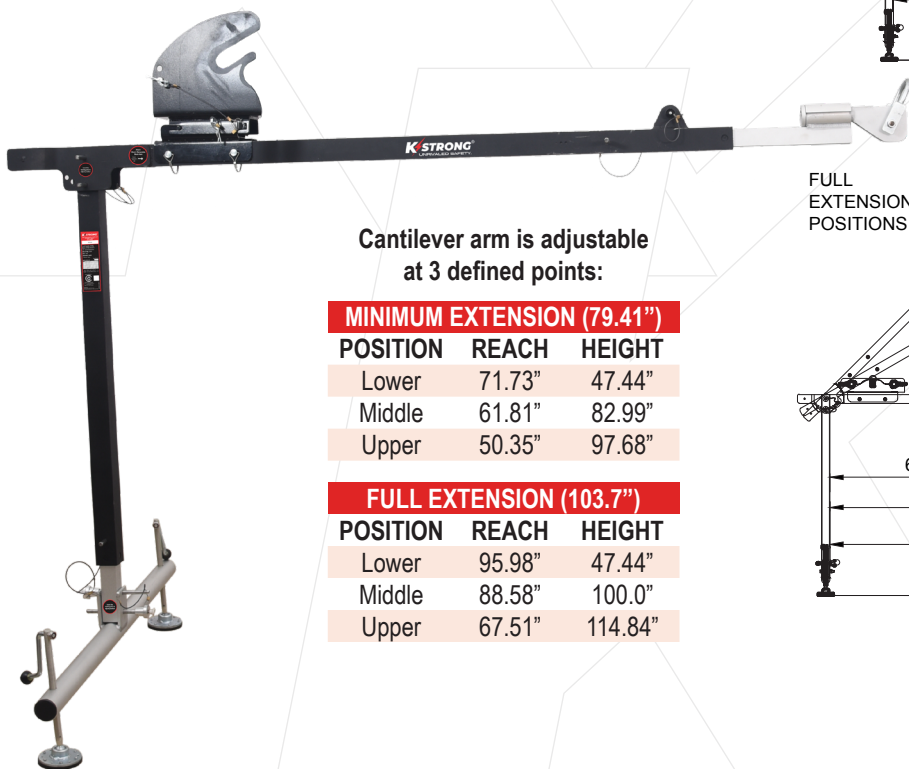
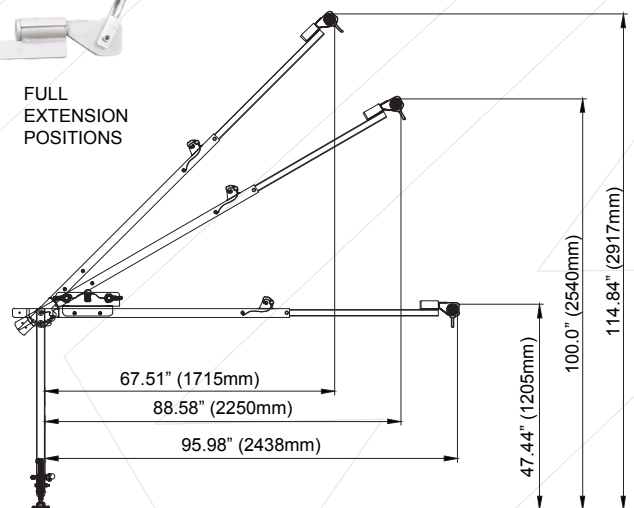
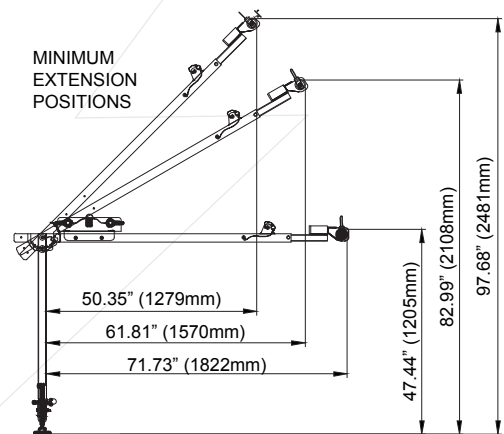
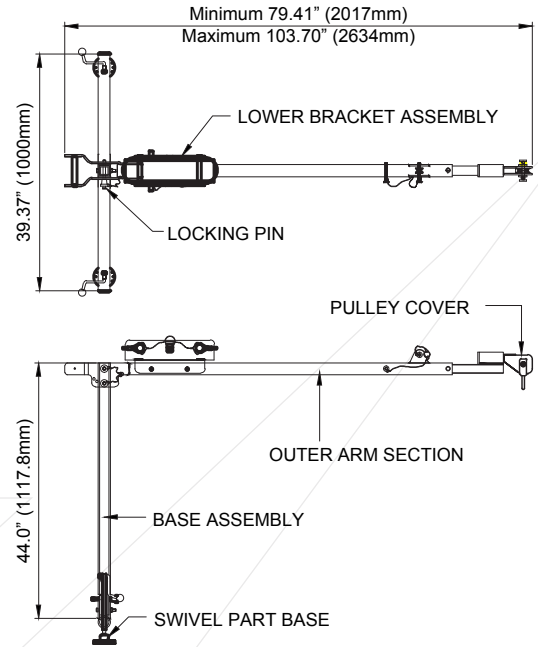
Powder Coated in dual color - Black & Grey

SYSTEM STRENGTH

15 kN

WEIGHT

28.63 lbs. ± 0.22 lbs. (12.99kgs ± 0.10kgs)



Cantilever arm is adjustable at 3 defined points:

MINIMUM EXTENSION (79.41")

POSITION	REACH	HEIGHT
Lower	71.73"	47.44"
Middle	61.81"	82.99"
Upper	50.35"	97.68"

FULL EXTENSION (103.7")

POSITION	REACH	HEIGHT
Lower	95.98"	47.44"
Middle	88.58"	100.0"
Upper	67.51"	114.84"

Meets or Exceeds EN 795:2012 TYPE B