

## KStrong® Megadavit™ Floor Mount Basic Kit

Model: UFT551021BK

KStrong® Megadavit™ Floor Mount Basic Kit. Includes Floor Mount Column Mast Receiver, 54 in. Column Mast, and 3 ft. Cantilever Boom Arm with Winch Bracket.

### DESIGN

- The KStrong® Megadavit™ Floor Mount Kit breaks down into two (2) components for easy storage, transport and setup. No tools are required for assembly.
- The modular design allows the use of various fixed and portable bases and an optional mast with extensions.
- Cantilever arm comes with 3 adjustment positions for the user to adjust the height as per the requirement.
- An ideal choice to provide overhead anchorages in large holes of confined space.
- Removable legs for easy transportation and installation purpose.
- Multiple anchorage points for rescue applications.
- Inbuilt swivel feature, davit column assembly can be rotated up to 360° by removing the locking pins provided to lock column.
- Floor mount base is designed to be mounted to concrete or steel structure.
- Base installation must be approved to local regulations by a qualified engineer.



### Height Adjustment and Reach

	UPPER	MIDDLE	LOWER
Distance from Column	26.57 in. (0.675m)	33.27 in. (0.845m)	36.22 in. (0.92m)
Height of Arm	74.8 in. (1.9m)	63.78 in. (1.62m)	50.39 in. (1.28m)

## KStrong® Megadavit™ Floor Mount Basic Kit

Model: UFT551021BK

### MATERIAL

High Strength and Durable Aluminum Alloy

### MAXIMUM LOAD CAPACITY

1102 lbs. (500kgs)

### FINISH

ED coated grey.

### SYSTEM STRENGTH

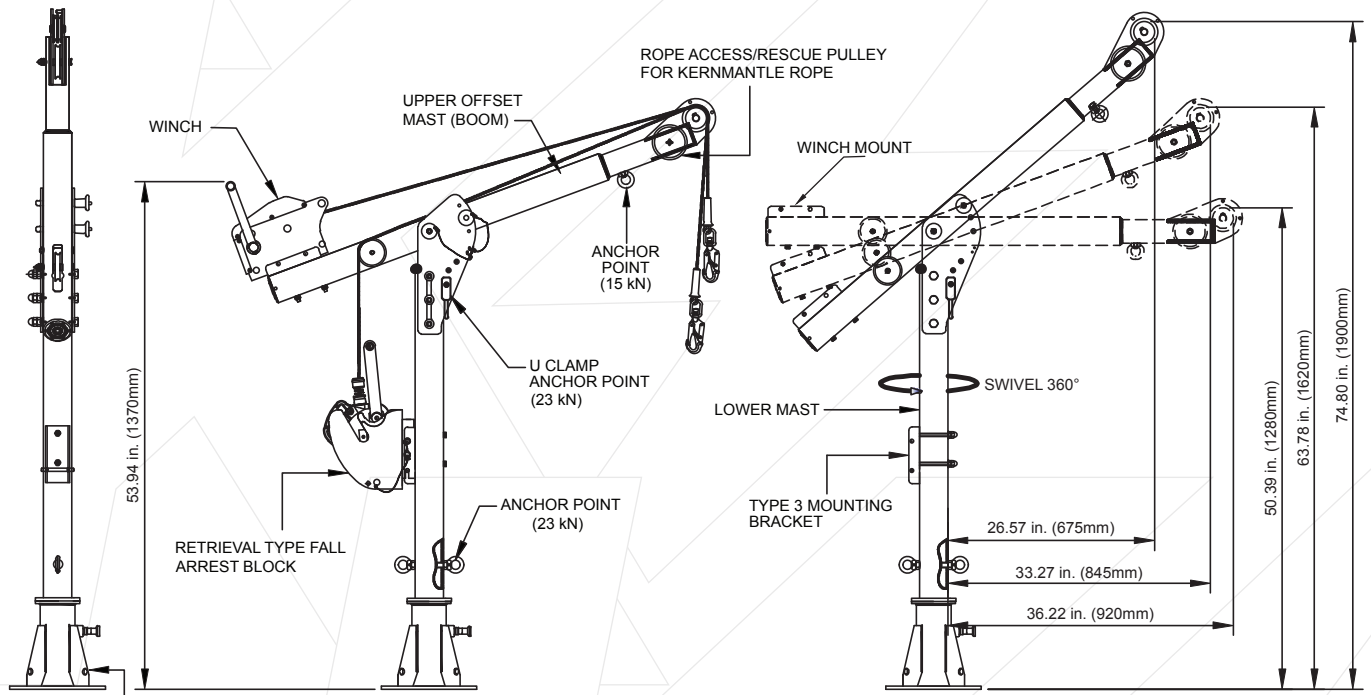
15 kN (3300 lbs).

### WEIGHT

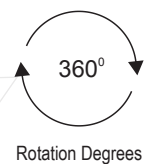
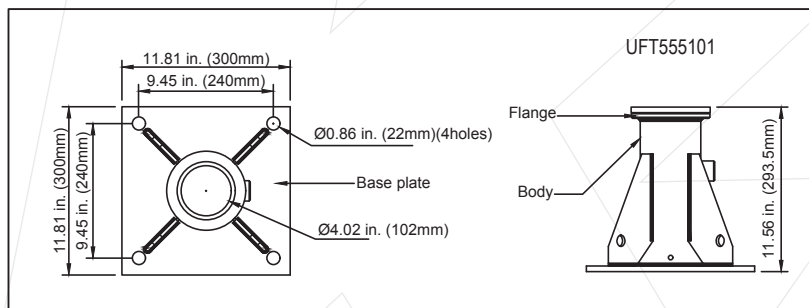
87.13 lbs ± 0.22 lbs (39.52kgs ± 0.10kgs).

### RELEVANT STANDARDS

Conforms to EN795:2012 Type B, AS/NZS 5532:2013



FLOOR MOUNTED  
K-POD BASE



## KStrong® Megadavit™ Accessories



Model	Description
A	UFT555001 Megadavit™ H-Base Frame Assembly (High Strength Aluminum Alloy)
B	UFT556201 Megadavit™ 54 in. Column Mast (High Strength Aluminum Alloy)
C	UFT556101 Megadavit™ 36 in. Column Mast (High Strength Aluminum Alloy)
D	UFT556001 Megadavit™ 3 ft. Cantilever Boom Arm with Winch Bracket (High Strength Aluminum Alloy)
E	UFT555101 Megadavit™ Floor Mount Column Mast Receiver (SS316)
F	UFT555201 Megadavit™ Wall Mount Column Mast Receiver (SS316)
G	UFT555002 Megadavit™ Concrete Embed Column Mast Receiver (SS316)
H	UFT557101 Megadavit™ Hitch Mount with Detent Pin
J	UFT530060 60 ft. Winch
K	UFS310060R BRUTE™ 60 ft. 3-way SRL-R
L	UFT531130 100 ft. Winch
M	UFS310090R BRUTE™ 90 ft. 3-way SRL-R
N	UFT510010B Mounting Bracket for 3-way SRL

