

## KStrong® Megadavit™ H-Base Basic Kit

Model: UFT551011BK

KStrong® Megadavit™ H-Base Basic Kit. Includes H-Base Frame Assembly, 54 in. Column Mast, and 3 ft. Cantilever Boom Arm with Winch Bracket

### DESIGN

- The KStrong® Megadavit™ breaks down into five components for easy storage, transport and setup. No tools are required for assembly.
- The modular design allows the use of various fixed and portable bases and an optional mast with extensions.
- Cantilever arm comes with 3 adjustment positions for the user to adjust the height as per the requirement.
- An ideal choice to provide overhead anchorages in large holes of confined space.
- Removable legs for easy transportation and installation purpose.
- Multiple anchorage points for rescue applications.
- Foldable legs for easy transportation and installation purpose.
- Inbuilt swivel feature, davit column assembly can be rotated up to 360° by removing the locking pins provided to lock column.



### Height Adjustment and Reach

	UPPER	MIDDLE	LOWER
Distance from Column	26.57 in. (0.675m)	33.27 in. (0.845m)	36.22 in. (0.92m)
Height of Arm	89.76 in. (2.28m)	78.74 in. (2.0m)	65.35 in. (1.66m)

## KStrong® Megadavit™ H-Base Basic Kit

Model: UFT551011BK

### MATERIAL

High Strength and Durable Aluminum Alloy

### OPENING OF H-BASE

Minimum Opening  $\varnothing$ 43.3 in. (1100mm) & Maximum Opening  $\varnothing$ 59.44 in. (1500mm)

### MAXIMUM LOAD CAPACITY

1102 lbs. (500kgs)

### FINISH

ED coated grey.

### SYSTEM STRENGTH

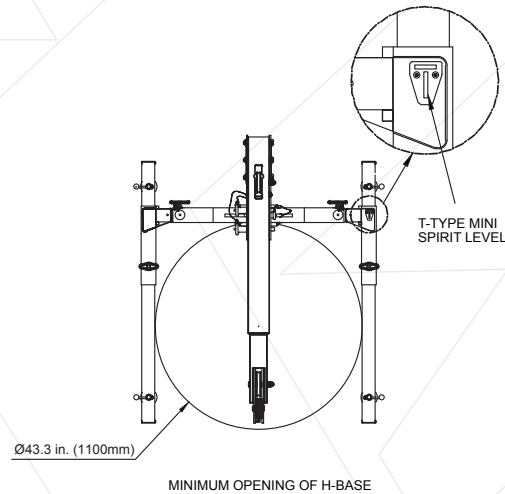
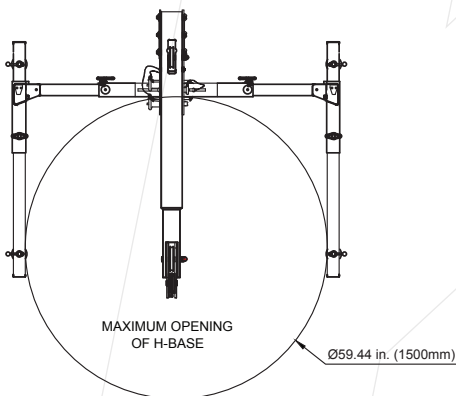
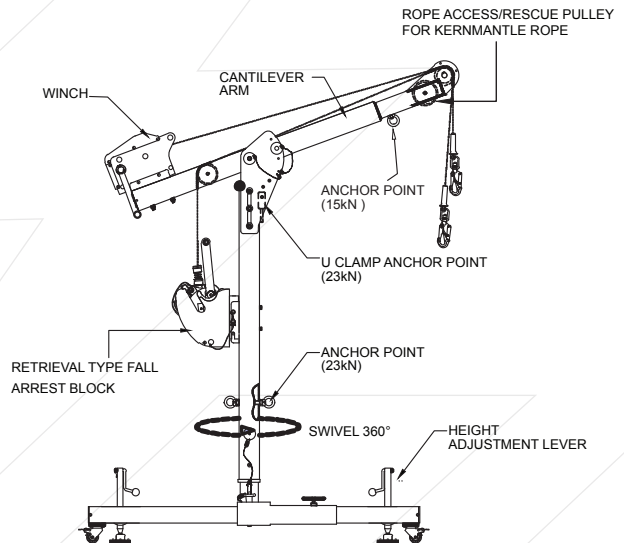
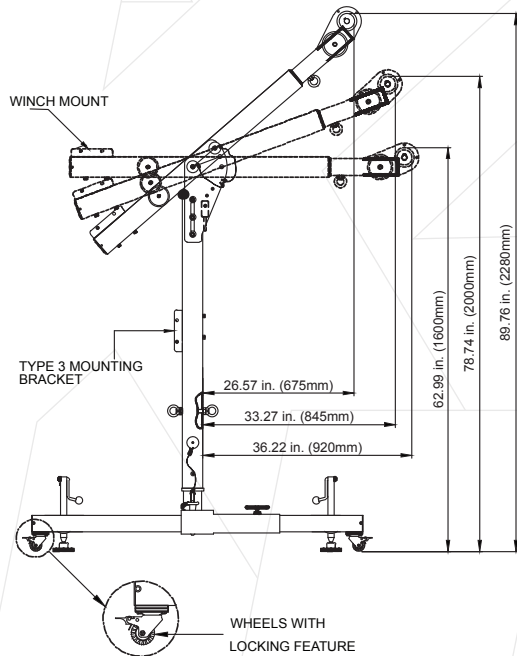
15 kN (3300 lbs).

### WEIGHT

138.28 lbs  $\pm$  0.22 lbs (62.72kgs  $\pm$  0.10kgs).

### RELEVANT STANDARDS

Conforms to EN795:2012 Type B, AS/NZS 5532:2013



## KStrong® Megadavit™ Accessories



Model	Description
A	UFT555001 Megadavit™ H-Base Frame Assembly (High Strength Aluminum Alloy)
B	UFT556201 Megadavit™ 54 in. Column Mast (High Strength Aluminum Alloy)
C	UFT556101 Megadavit™ 36 in. Column Mast (High Strength Aluminum Alloy)
D	UFT556001 Megadavit™ 3 ft. Cantilever Boom Arm with Winch Bracket (High Strength Aluminum Alloy)
E	UFT555101 Megadavit™ Floor Mount Column Mast Receiver (SS316)
F	UFT555201 Megadavit™ Wall Mount Column Mast Receiver (SS316)
G	UFT555002 Megadavit™ Concrete Embed Column Mast Receiver (SS316)
H	UFT557101 Megadavit™ Hitch Mount with Detent Pin
J	UFT530060 60 ft. Winch
K	UFS310060R BRUTE™ 60 ft. 3-way SRL-R
L	UFT531130 100 ft. Winch
M	UFS310090R BRUTE™ 90 ft. 3-way SRL-R
N	UFT510010B Mounting Bracket for 3-way SRL

