

## KStrong® Megapod™

Model: UFT510010

### DESIGN

- Adjustable height from 99 in. (8.25 ft. or 2.51m) to 114 in. (9.5 ft. or 2.90m) from ground level.
- At minimum height, distance between legs (foot point) Ø7.03' (2.14m).
- At maximum height, distance between legs (foot point) Ø7.6' (2.32m).
- Adjustment achieved by sliding telescopic legs (Inner & Outer).
- Locking pins attached by SS cables.
- Securely connected two eye bolts to be used for connection to personal protective equipment.
- Two pulley system provided to pass the wire rope of winch mounted on one leg and retrieval block on the other leg simultaneously.

### LOAD CAPACITY

310 lbs. (140 kg) (As per ANSI Z359.1-2007)

### MEGAPOD LEGS & HEAD

Material: Prime quality aluminum alloy  
Finish: Anodized

### LOCKING PINS

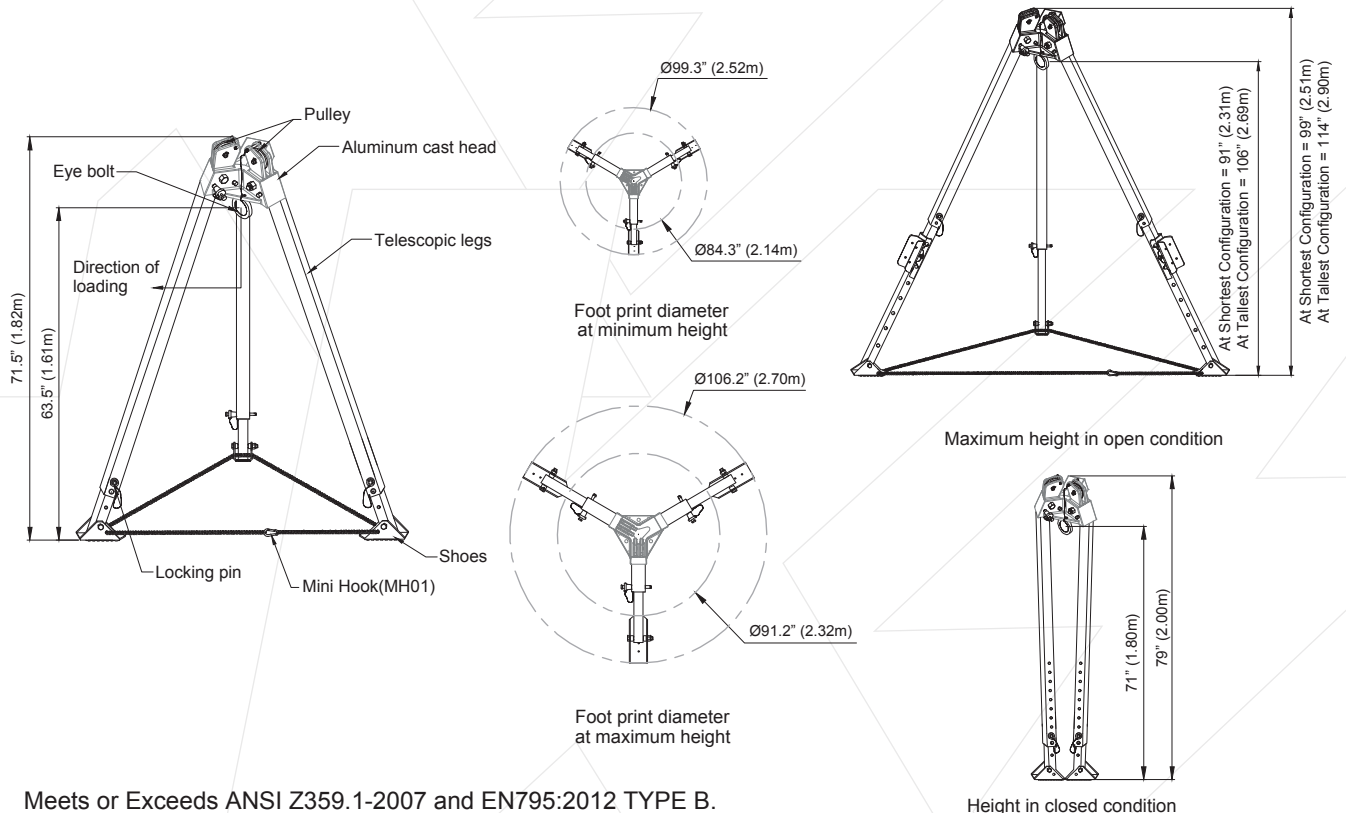
Material: Stainless steel  
Finish: Polished

### WEIGHT

52.54 lbs. ± 0.22 lbs. (23.832 kg ± 0.100 kg)  
In Case: 76.1 lbs. ± 0.22 lbs. (34.518 kg ± 0.100 kg)

### RELEVANT STANDARDS

Meets or Exceeds ANSI Z359.1-2007 & EN 795:2012 Type B



Meets or Exceeds ANSI Z359.1-2007 and EN795:2012 TYPE B.