

## KStrong® BRUTE-AL™ 30 ft. Aluminum Housing Cable SRL with snap hook. Includes installation carabiner and tagline (ANSI).

Model: UFS480030

30' Cable SRL, swivel eye at anchorage end, other end load indicator swivel snap hook. Includes installation carabiner and tagline



### DESIGN

- Robust & durable Aluminum casing powder coated
- Has swivel anchorage eye at anchorage end
- Steel swivel snap hook at retractable end - gate strength 3600 lbs. (1633 kg)
- Galvanized steel wire rope

### CABLE

Material: Galvanized steel wire rope Ø3/16"  
Minimum Breaking Strength: 3400 lbs.

### LENGTH

30 Feet

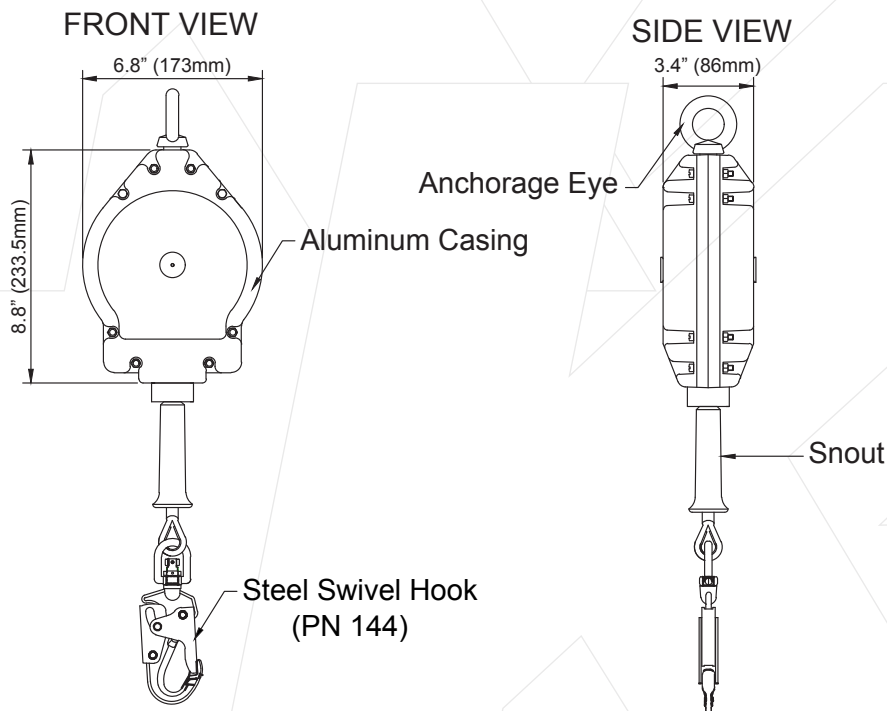
### WEIGHT

11 lbs. ± 0.22 lbs. (4990 gm ±100 gm)

### RELEVANT STANDARDS

Meets or Exceeds ANSI Z359.14-2021 Class 1

**Class 1**  
Anchor at or above dorsal D-ring



Batch #: \_\_\_\_\_ Serial #: \_\_\_\_\_  
Date of First Use: \_\_\_\_\_