

## KStrong® Dual 6 ft. Micron™ SRL Assembly with Large Aluminum Rebar Hook with Steel ANSI Gate (ANSI) - Harness Connector Included

Model: UFS356002D

# MICRON™

## SRL SERIES

KStrong® Dual 6 ft. Micron™ SRL assembly with one (1) large aluminum rebar hook with steel ANSI gate at each anchor end (ANSI). Includes one (1) connector (UFC409151) to attach to harness.

### PHYSICAL PARAMETERS

- Lightest available SRL in its range/class
- Robust & durable plastic casing
- Dyneema Webbing with Energy absorber
- Large Aluminum Rebar Hook with Steel ANSI Gate at bottom ends
- Twin SRL connector (UFC409151) for connection to harness

### LENGTH

6 ft.

### WEBBING

Material: Dyneema Webbing 13/16" (21mm)  
Min. Breaking strength: 4500 lbs.

### WEIGHT

6.31 lbs. ± 0.22 lbs. (2862 gm ± 100 gm)

### USER CAPACITY

OSHA Working Load Capacity: 420 lbs.  
ANSI Working Load Capacity: 310 lbs.

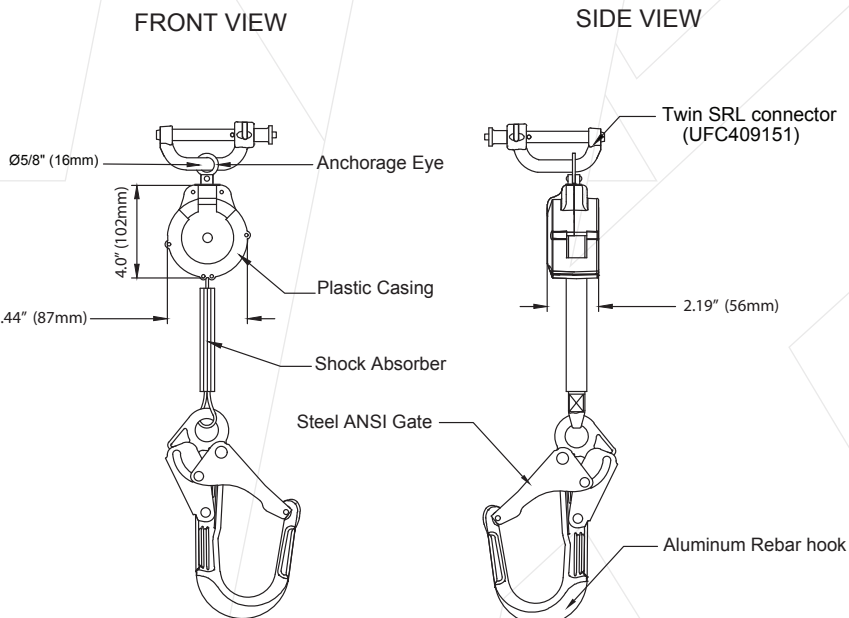
### RELEVANT STANDARDS

Meets or Exceeds ANSI Z359.14-2014 CLASS A

**OSHA  
RATED**

**420  
LBS.**

**MICRON**



Meets or Exceeds ANSI Z359.14-2014 CLASS A