

## KStrong® Dual 6 ft. Micron™ SRL Assembly with Large Aluminum Rebar Hook with Steel ANSI Gate (ANSI) - Harness Connector Included

Model: UFS356002D

# MICRON™

## SRL SERIES

KStrong® Dual 6 ft. Micron™ SRL assembly with one (1) large aluminum rebar hook with steel ANSI gate at each anchor end (ANSI). Includes one (1) connector (UFC409151) to attach to harness.

### PHYSICAL PARAMETERS

- Lightest available SRL in its range/class
- Robust & durable plastic casing
- Dyneema Webbing with Energy absorber
- Large Aluminum Rebar Hook with Steel ANSI Gate at bottom ends
- Twin SRL connector (UFC409151) for connection to harness

### LENGTH

6 ft.

### WEBBING

Material: Dyneema Webbing 13/16" (21mm)  
Min. Breaking strength: 4500 lbs.

### WEIGHT

6.31 lbs. ± 0.22 lbs. (2862 gm ± 100 gm)

### USER CAPACITY

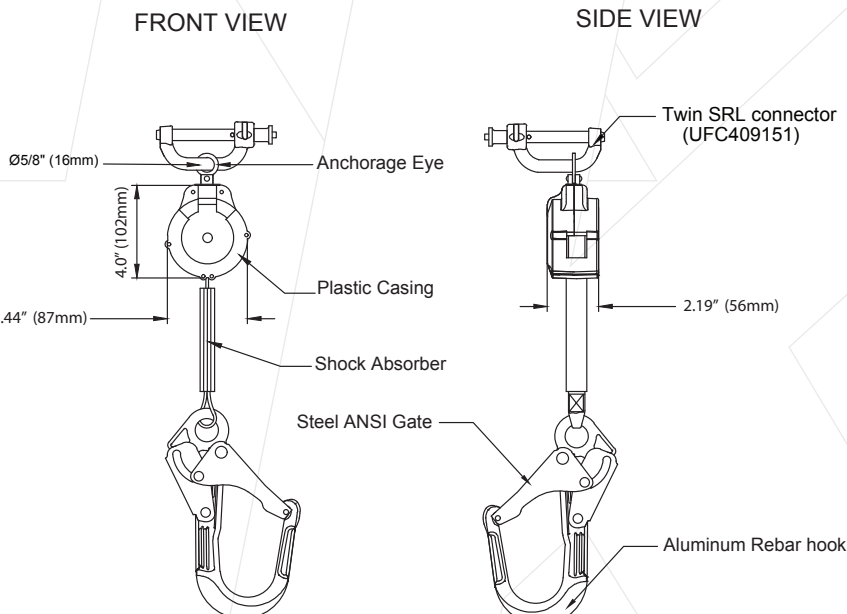
OSHA Working Load Capacity: 420 lbs.  
ANSI Working Load Capacity: 310 lbs.

### RELEVANT STANDARDS

Meets or Exceeds ANSI Z359.14-2021 Class 1

Class  
**1**  
Anchor at or above dorsal D-ring

**OSHA RATED**  
**420 LBS.**  
MICRON



The Micron™ series of SRL's have not only been tested to ANSI Z359.14-2021 but also to a Fall Factor of 2. This means that when a preferred overhead anchor point is not present, a worker may connect to a suitable anchor up to 5 ft. below the dorsal D-ring height of their full body harness.

Batch #: \_\_\_\_\_ Serial #: \_\_\_\_\_  
Date of First Use: \_\_\_\_\_