

KStrong® Dual 6 ft. Micron™ SRL Assembly with Aluminum Carabiners (ANSI) - Harness Connector Included

Model: UFS351102D

MICRON™

SRL SERIES

KStrong® Dual 6 ft. Micron™ Lightweight SRL assembly with one (1) lightweight aluminum carabiner at each anchor end (ANSI). Includes one (1) connector (UFC409151) to attach to harness.

PHYSICAL PARAMETERS

- Lightest available SRL in its range/class
- Robust & durable plastic casing
- Dyneema Webbing with Energy absorber
- Aluminum Quarter turn locking hook with fall indicator at attachment ends

LENGTH

6 ft.

WEBBING

Material: Dyneema Webbing 13/16" (21mm)
Min. Breaking strength: 4500 lbs.

WEIGHT

5.10 lbs. ± 0.22 lbs. (2313 gm ± 100 gm)

USER CAPACITY

OSHA Working Load Capacity: 420 lbs.
ANSI Working Load Capacity: 310 lbs.

RELEVANT STANDARDS

Meets or Exceeds ANSI Z359.14-2021 Class 1

Class

1

Anchor at or above dorsal D-ring

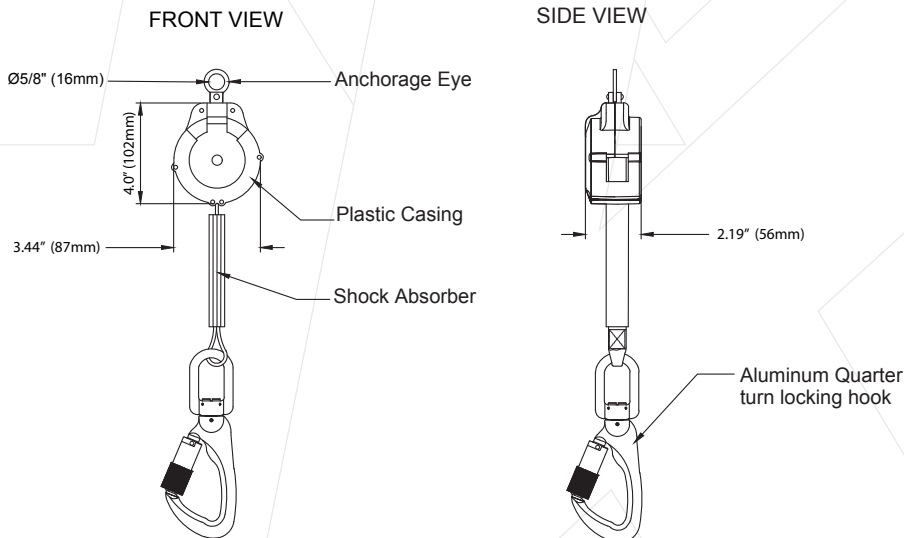
OSHA
RATED

420
LBS.

MICRON



The Micron™ series of SRL's have not only been tested to ANSI Z359.14-2021 but also to a Fall Factor of 2. This means that when a preferred overhead anchor point is not present, a worker may connect to a suitable anchor up to 5 ft. below the dorsal D-ring height of their full body harness.



Batch #: _____ Serial #: _____
Date of First Use: _____