

## KStrong® 6 ft. Micron™ SRL with Aluminum Carabiner (ANSI) - Harness Connector Included

Model: UFS351102

# MICRON™

## SRL SERIES

KStrong® 6 ft. Micron™ Lightweight SRL with one (1) lightweight aluminum carabiner at anchor end (ANSI). Includes one (1) quarter turn locking carabiner (UFC401101).

### PHYSICAL PARAMETERS

- Lightest available SRL in its range/class
- Robust & durable plastic casing
- Dyneema Webbing with Energy absorber
- Aluminum quarter turn locking hook with fall indicator at attachment end

### LENGTH

6 ft.

### WEBBING

Material: Dyneema Webbing 13/16" (21mm)  
Min. Breaking strength: 4500 lbs.

### WEIGHT

2.49 lbs. ± 0.22 lbs. (1129 gm ± 100 gm)

### USER CAPACITY

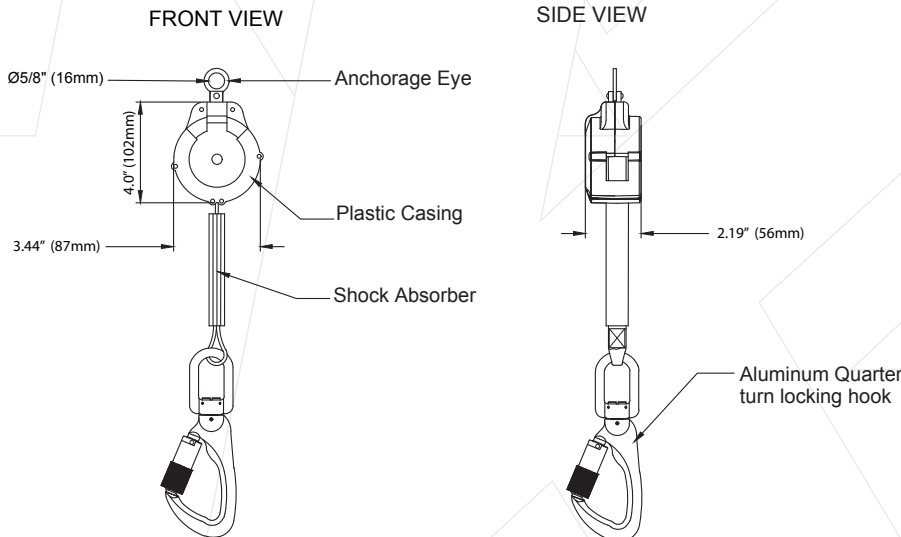
OSHA Working Load Capacity: 420 lbs.  
ANSI Working Load Capacity: 310 lbs.

### RELEVANT STANDARDS

Meets or Exceeds ANSI Z359.14-2014 CLASS A



The Micron™ series of SRL's have not only been tested to ANSI Z359.14 2014 but also to a Fall Factor of 2. This means that when a preferred overhead anchor point is not present, a worker may connect to a suitable anchor up to 5 ft. below the dorsal D-ring height of their full body harness.



Meets or Exceeds ANSI Z359.14-2014 CLASS A