

KStrong® BRUTE™ 25 ft. Web SRL with snap hook. Includes installation carabiner and tagline (ANSI)

Model: UFS350025

KStrong® BRUTE™ 25' Web SRL with High Impact Strength Polymer Housing with Built-in Handle, swivel eye at anchorage end, other end with load indicator swivel snap hook. Includes one (1) installation carabiner and tagline (ANSI)

BRUTE™

SRL SERIES

DESIGN

- Robust & durable plastic casing.
- Has anchorage handle at anchorage end.
- Steel swivel hook at retractable end (Our ref. PN 144 as per ANSI Z359.12-2009 gate strength 3600 lbs. (1633 kg))
- Polyester Webbing.

LENGTH

25 ft.

WEBBING

Material: Polyester Webbing 1 Inches.
Minimum Breaking strength: 4500 lbs. (2041 kg).

WEIGHT

7.72 lbs. ± 0.22 lbs. (3501 gm ± 100 gm)

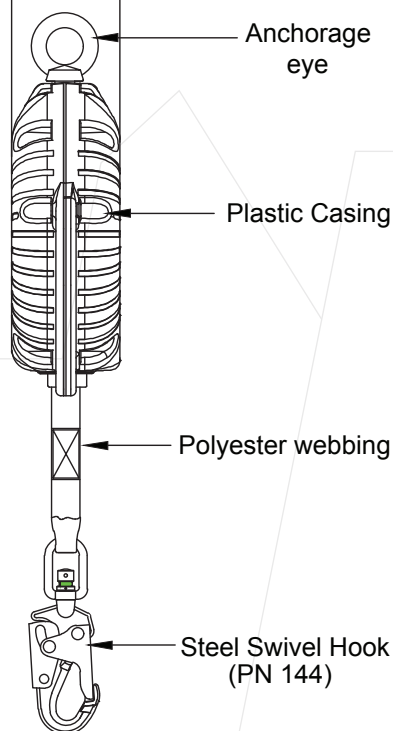
RELEVANT STANDARDS

Meets or Exceeds ANSI Z359.14-2014 CLASS B



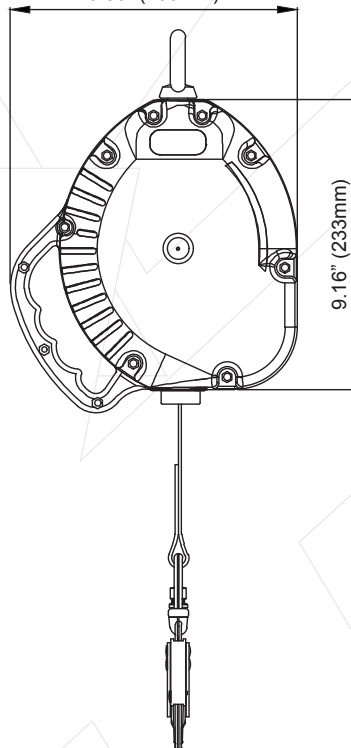
SIDE VIEW

3.42" (87mm)



FRONT VIEW

9.06" (230mm)



Meets or Exceeds ANSI Z359.14-2014 Class B