

KStrong® BRUTE™ 25 ft. Web SRL with snap hook. Includes installation carabiner and tagline (ANSI)

Model: UFS350025



KStrong® BRUTE™ 25' Web SRL with High Impact Strength Polymer Housing with Built-in Handle, swivel eye at anchorage end, other end with load indicator swivel snap hook. Includes one (1) installation carabiner and tagline (ANSI)

DESIGN

- Robust & durable plastic casing
- Convenient inbuilt carry handle at anchorage end
- Steel swivel snap hook at retractable end - gate strength 3600 lbs. (1633 kg)
- Polyester Webbing.

LENGTH

25 ft.

WEBBING

Material: Polyester Webbing 1 Inches.
Minimum Breaking Strength: 4500 lbs. (2041 kg).

WEIGHT

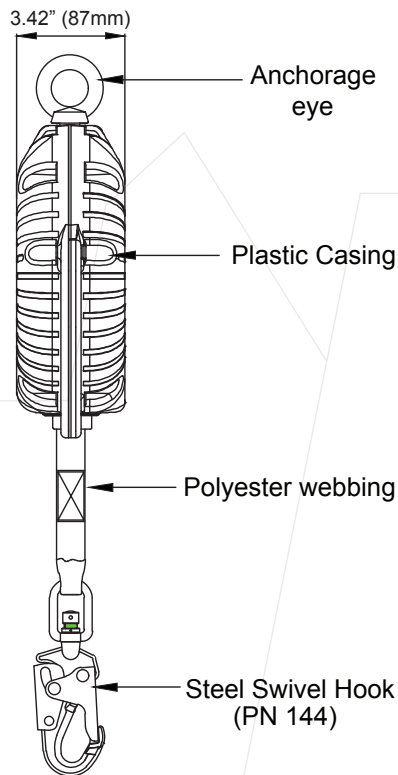
7.72 lbs. ± 0.22 lbs. (3501 gm ± 100 gm)

RELEVANT STANDARDS

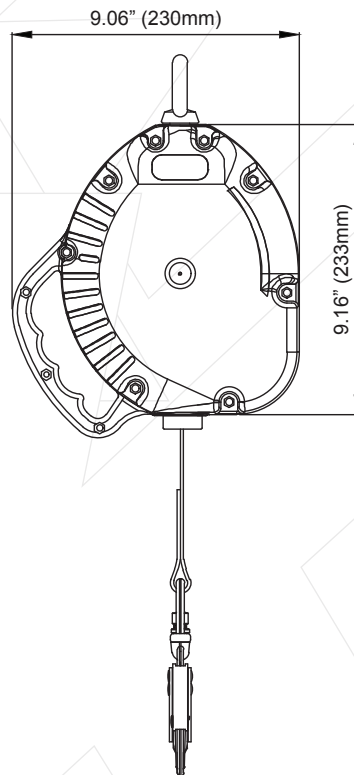
Meets or Exceeds ANSI Z359.14-2021 Class 1



SIDE VIEW



FRONT VIEW



Class
1
Anchor at or above dorsal D-ring

Batch #: _____ Serial #: _____
Date of First Use: _____