

## KStrong® BRUTE™ 11 ft. Web SRL with snap hook. Includes installation carabiner (ANSI)

Model: UFS350011



KStrong® BRUTE™ 11' Web SRL with High Impact Strength Polymer Housing with Built-in Handle, swivel eye at anchorage end, other end with load indicator swivel snap hook. Includes one (1) installation carabiner (ANSI)

### DESIGN

- Robust & durable plastic casing
- Convenient inbuilt carry handle at anchorage end
- Steel swivel snap hook at retractable end - gate strength 3600 lbs. (1633 kg)
- Polyester Webbing.

### LENGTH

11 ft.

### WEBBING

Material: Polyester Webbing 1 Inches.  
Minimum Breaking Strength: 4500 lbs. (2041 kg).

### WEIGHT

5.44 lbs. ± 0.22 lbs. (2468 gm ± 100 gm)

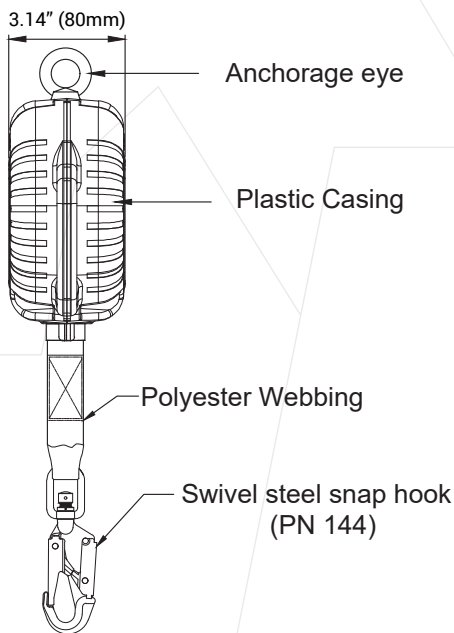
### RELEVANT STANDARDS

Meets or Exceeds ANSI Z359.14-2021 Class 1

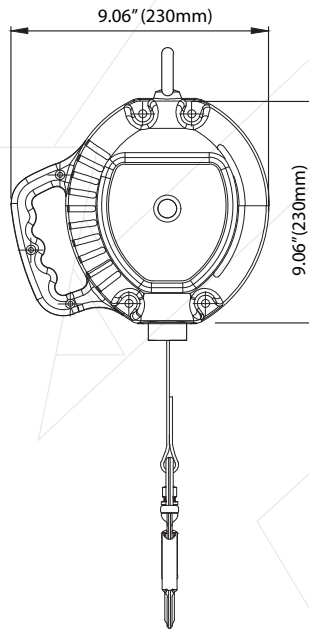
**Class 1**  
Anchor at or above dorsal D-ring



SIDE VIEW



FRONT VIEW



Batch #: \_\_\_\_\_ Serial #: \_\_\_\_\_  
Date of First Use: \_\_\_\_\_