

KStrong® BRUTE™ Backer™ LE Dual 8.5 ft. Cable SRL-LE assembly with snap hooks at connector end and shock pack with Twin SRL connector at top (ANSI)

Model: UFS310206LD

**BRUTE™
BACKER™ LE**
WE'VE GOT YOUR BACK.

DESIGN

- Robust & durable plastic casing
- Has swivel anchorage eye at anchorage end
- Ultralight design almost unnoticeable on the users back
- Galvanized steel wire rope
- Twin legged retractable lanyard with Steel snap hook at termination end and shock pack at harness attachment end
- Twin SRL connector (UFC409151) for connection to the Dorsal attachment of harness
- Compatible to be used where anchor point not available above users head / can be used near a potential leading edge

LENGTH

8.5 ft.

CABLE

Material: Galvanized steel wire rope Ø3/16"
Minimum Breaking Strength: 3400 lbs. (1542 kg)

WEIGHT

7.3 lbs. ± 0.22 lbs. (3312 gm ± 100 gm)

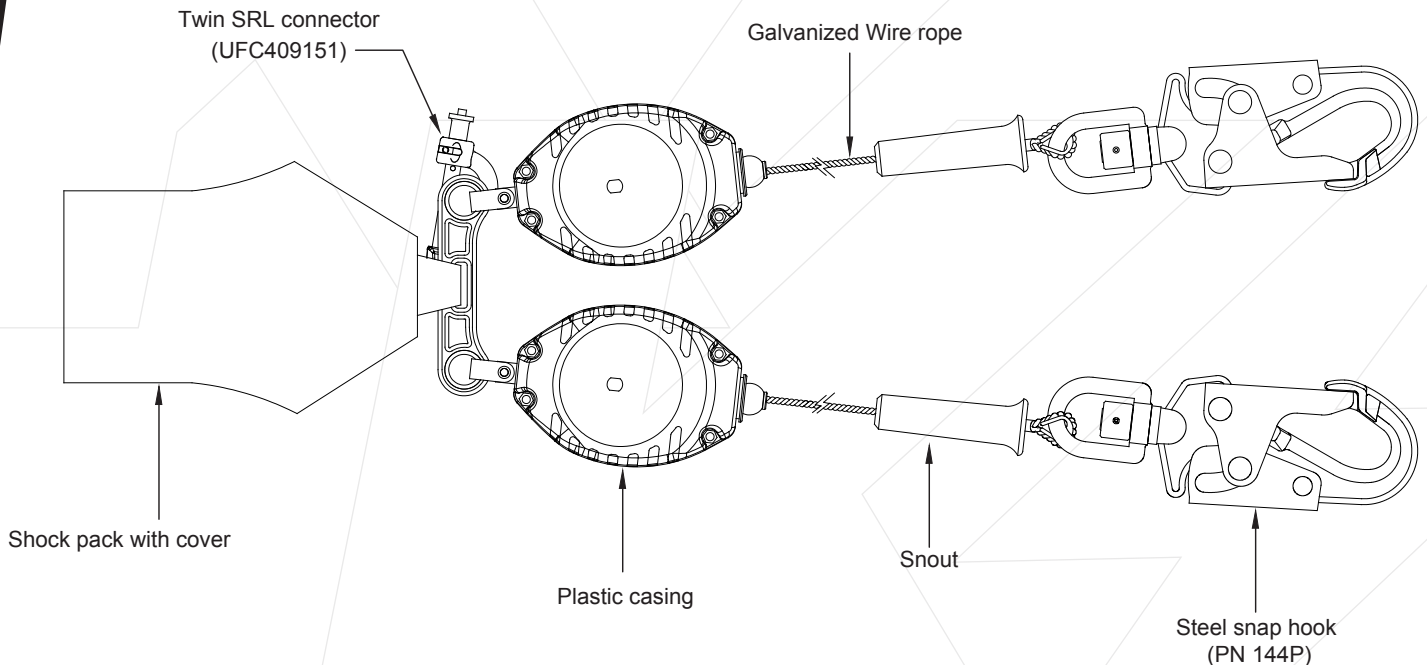
RELEVANT STANDARDS

Meets or Exceeds ANSI Z359.14-2021 Class 2

Class

2

Anchor above or
below dorsal D-ring



Batch #: _____ Serial #: _____
Date of First Use: _____