

## KStrong® BRUTE™ 50 ft. Cable SRL with Load Indicating Swivel Locking Carabiner. Includes installation carabiner and tagline (ANSI).

Model: UFS310150

# BRUTE™

SRL SERIES

### PHYSICAL PARAMETERS

- Robust & durable plastic casing
- Has swivel anchorage eye at anchorage end
- Galvanized steel wire rope
- Quarter turn locking steel carabiner (Our ref. UFC401101) at top and Forged Steel Swivel Snap Quarter Turn Locking Bulb type Hook with Load Indicator at retractable end (Our ref. PN 165A as per ANSI Z359.12-2009; gate strength 3600 lbs.; 0.80" Gate Opening)

### CABLE

Material: Galvanized steel wire rope Ø3/16".  
Minimum Breaking strength: 3400 lbs (1542kg) (Min)

### LENGTH

50 Feet

### WEIGHT

12.68 lbs ± 0.22 lbs. (5752 gm ± 100 gm)

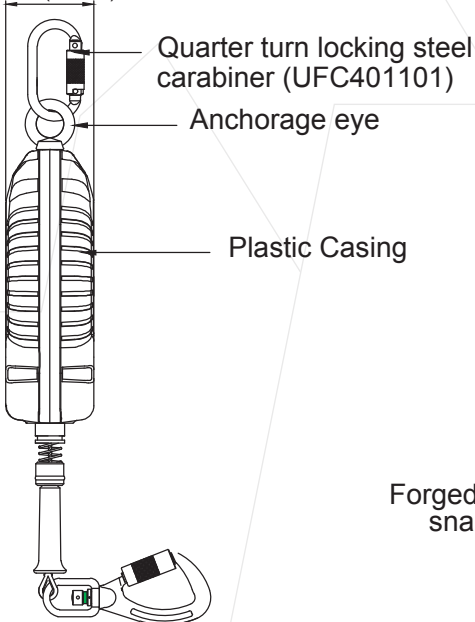
### RELEVANT STANDARDS

Meet or Exceeds ANSI Z359.14-2014 Class B & OSHA Compliant.



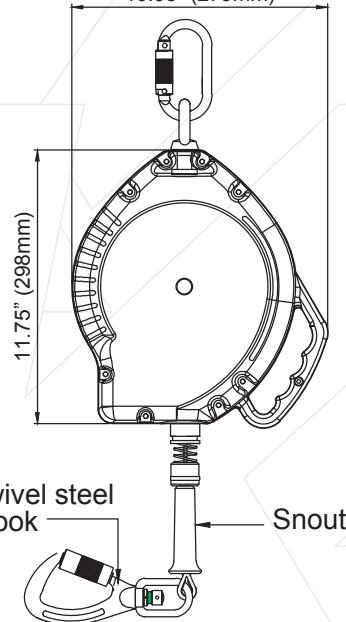
SIDE VIEW

3.77" (96mm)



FRONT VIEW

10.98" (279mm)



Meets or Exceeds ANSI Z359.14-2014 CLASS B & OSHA COMPLIANT