

KStrong® BRUTE™ 30 ft. Cable SRL with Load Indicating Swivel Locking Carabiner. Includes installation carabiner and tagline (ANSI).

Model: UFS310130

BRUTE™

SRL SERIES

PHYSICAL PARAMETERS

- Robust & durable plastic casing
- Has swivel anchorage eye at anchorage end
- Galvanized steel wire rope
- Quarter turn locking steel carabiner (Our ref. UFC401101) at top and Forged Steel Swivel Snap Quarter Turn Locking Bulb type Hook with Load Indicator at retractable end (Our ref. PN 165A as per ANSI Z359.12-2009; gate strength 3600 lbs.; 0.80" Gate Opening)

CABLE

Material: Galvanized steel wire rope Ø3/16".
Minimum Breaking strength: 3400 lbs (1542kg) (Min)

LENGTH

30 Feet

WEIGHT

9.37 lbs ± 0.22 lbs. (4250 gm ± 100 gm)

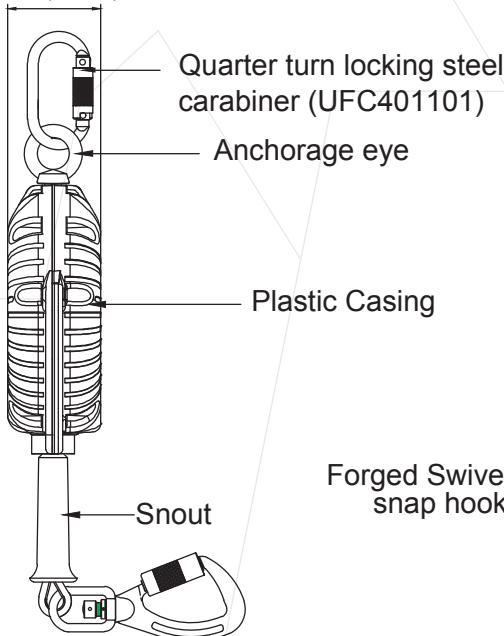
RELEVANT STANDARDS

Meet or Exceeds ANSI Z359.14-2014 Class B & OSHA Compliant.



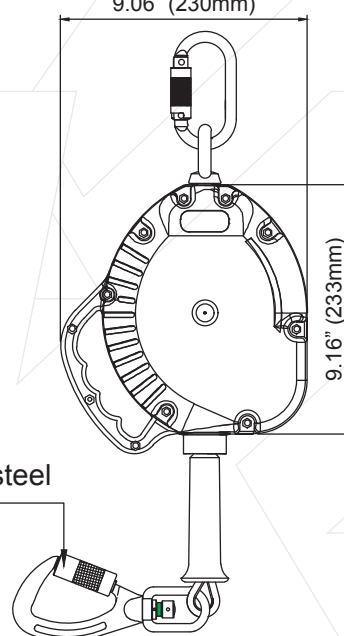
SIDE VIEW

3.42" (89mm)



FRONT VIEW

9.06" (230mm)



Meets or Exceeds ANSI Z359.14-2014 CLASS B