

KStrong® BRUTE™ 30 ft. Galvanized Steel Cable SRL with Load Indicating Swivel Locking Carabiner. Includes installation carabiner and tagline (ANSI).

Model: UFS310130



PHYSICAL PARAMETERS

- Robust & durable plastic casing
- Convenient inbuilt carry handle at anchorage end
- Galvanized steel wire rope
- Quarter turn locking steel carabiner at top and Forged Steel Swivel Snap Quarter Turn Locking Bulb type Hook with Load Indicator at retractable end (gate strength 3600 lbs.; 0.80" Gate Opening)

CABLE

Material: Galvanized steel wire rope Ø3/16".
Minimum Breaking Strength: 3400 lbs (1542kg) (Min)

LENGTH

30 Feet

WEIGHT

9.37 lbs ± 0.22 lbs. (4250 gm ± 100 gm)

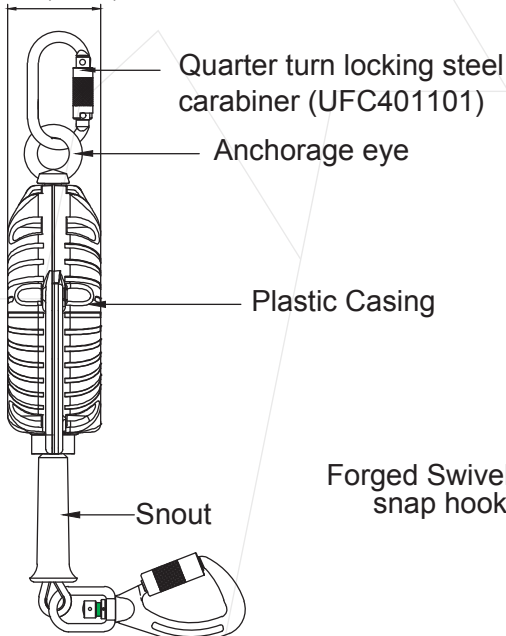
RELEVANT STANDARDS

Meets or Exceeds ANSI Z359.14-2021 Class 1



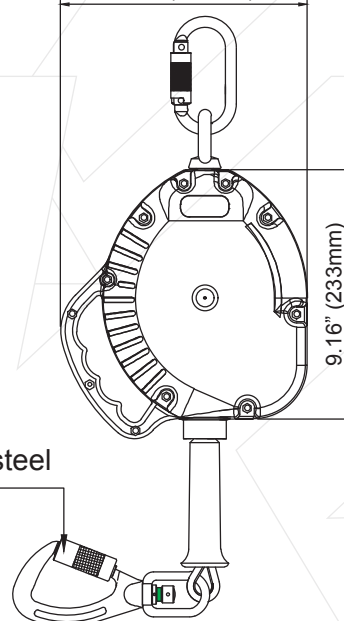
SIDE VIEW

3.42" (89mm)



FRONT VIEW

9.06" (230mm)



Class 1
Anchor at or above dorsal D-ring

Batch #: _____ Serial #: _____
Date of First Use: _____