

## KStrong® BRUTE™ 20 ft. Galvanized Steel Cable SRL with swivel snap hook. Includes installation carabiner (ANSI).

Model: UFS310020



KStrong® BRUTE™ 20' Galvanized Steel Wire Cable SRL with High Impact Strength Polymer Housing with Built-in Handle, swivel eye at anchorage end, other end with load indicator swivel snap hook. Includes one (1) installation carabiner and one (1) tagline AFZ830025 (ANSI)

### DESIGN

- Robust & durable plastic casing
- Convenient inbuilt carry handle at anchorage end
- Steel swivel snap hook at retractable end - gate strength 3600 lbs. (1633 kg)
- Galvanized Steel wire rope

### LENGTH

20 ft.

### CABLE

Material: Galvanized Steel wire rope Ø3/16 inches  
Minimum Breaking Strength: 3400 lbs. (1542 kg)

### WEIGHT

8.55 lbs. ± 0.22 lbs. (3878 gm ± 100 gm)

### USER CAPACITY

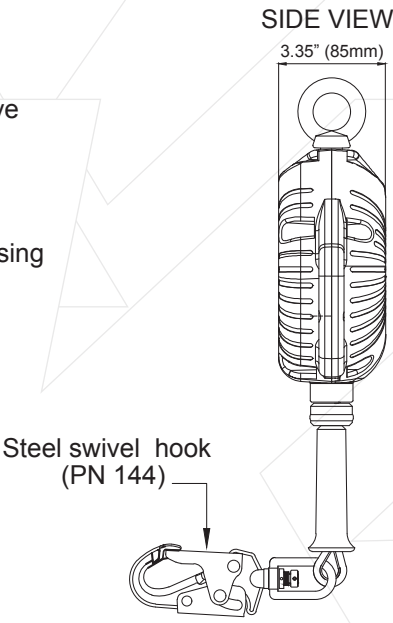
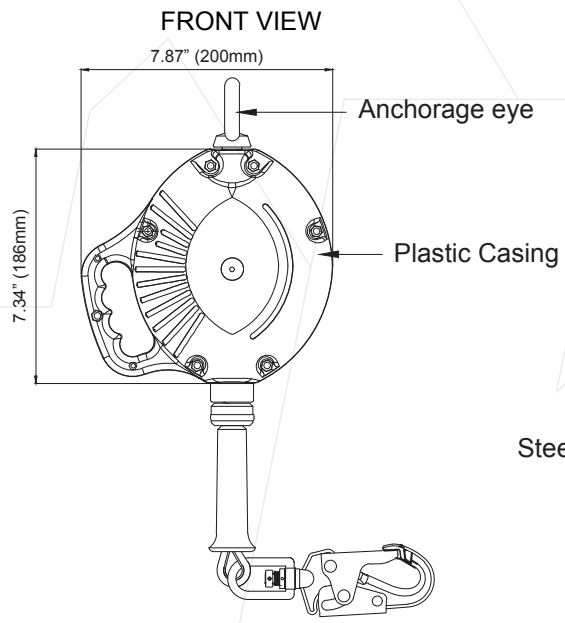
ANSI User Capacity: 310 lbs. Max.  
OSHA User Capacity: 400 lbs. Max

### RELEVANT STANDARDS

Meets or Exceeds ANSI Z359.14-2021 Class 1

**Class 1**  
**1**  
Anchor at or above dorsal D-ring

**OSHA RATED**  
**400 LBS.**  
**BRUTE**



Batch #: \_\_\_\_\_ Serial #: \_\_\_\_\_  
Date of First Use: \_\_\_\_\_