

KStrong® BRUTE™ 18 ft. Cable SRL-LE with snap hook. Includes installation carabiner and tagline (ANSI).

Model: UFS310018L

BRUTE™

SRL SERIES

KStrong® BRUTE™ 18' Galvanized Wire Cable SRL-LE (ANSI Leading Edge Rated) with High Impact Strength Polymer Housing with Built-in Handle, swivel eye at anchorage end, other end with load indicator swivel snap hook. Includes one (1) installation carabiner and one (1) tagline AFZ830025 (ANSI).

PHYSICAL PARAMETERS

- Robust & durable plastic casing
- Has swivel anchorage eye at anchorage end
- Convenient inbuilt carry handle at anchorage end
- Steel swivel snap hook at retractable end - gate strength 3600 lbs. (1633 kg)
- Galvanized steel wire rope
- Comes with shock absorber with protective cover

LENGTH

18 Feet

CABLE

Material: Galvanized steel wire rope Ø7/32 Inches
Minimum Breaking Strength: 3400 Pounds (1542 kg).

WEIGHT

9 lbs. ± 0.22 lbs. (4082 gm ± 100 gm)

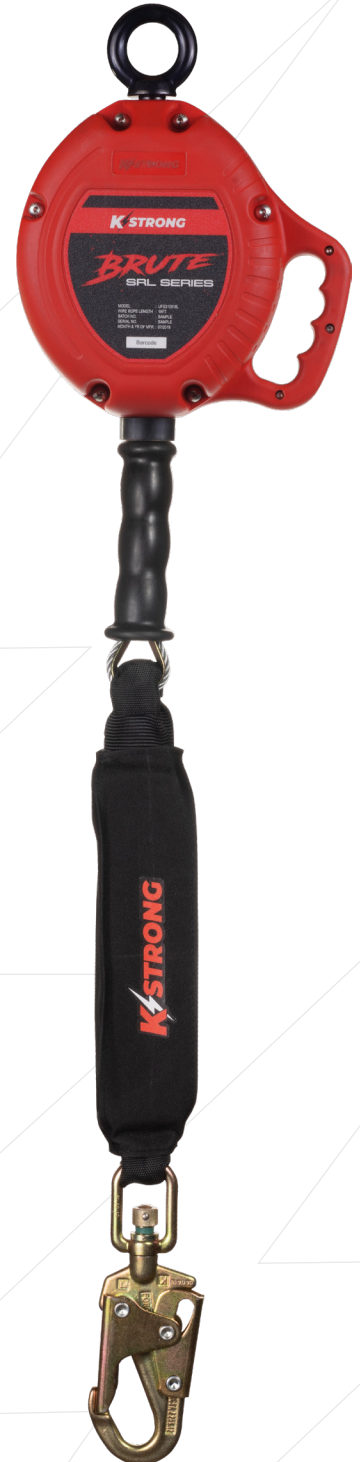
RELEVANT STANDARDS

Meets or Exceeds ANSI Z359.14-2021 Class 2

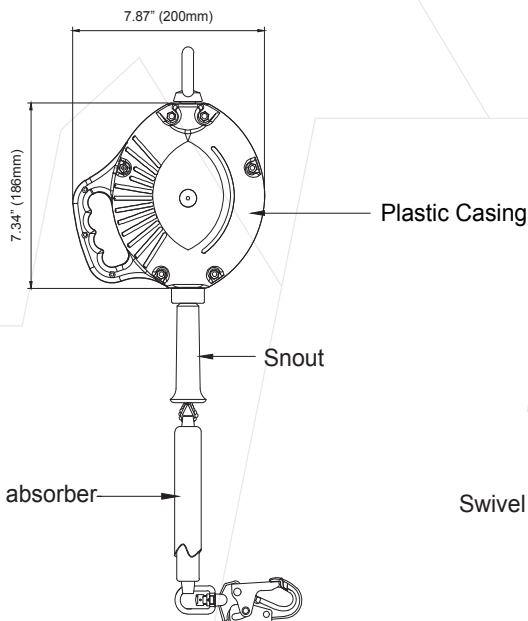
Class

2

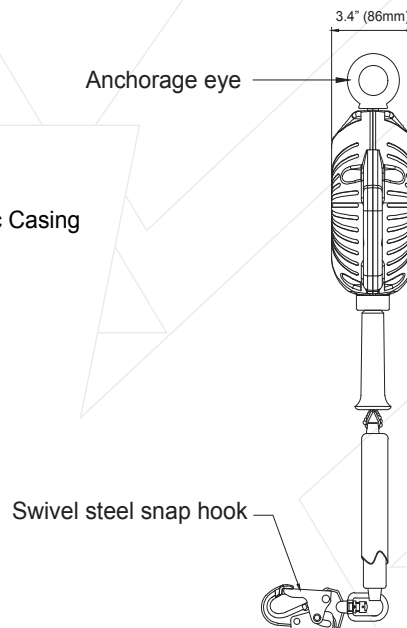
Anchor above or below dorsal D-ring



FRONT VIEW



SIDE VIEW



Batch #: _____ Serial #: _____
Date of First Use: _____