

KStrong® 6 ft. internal design SAL with one loop and one snap hook (ANSI)

Model: UFL204102

KStrong® 6 ft. internal design shock absorbing lanyard with one (1) loop and one (1) snap hook (ANSI)

DESIGN

- 1.57 in. wide polyester tubular webbing incorporated with energy absorbing (6 ft.) polyester webbing. Both ends have a textile loop with steel stamped snap hook (PN 146) at one end and ebbing loop at other end.

WEBBING

Material: Polyester
Width: 1.57 in. \pm 0.04 in. (40mm \pm 1mm)
Breaking Strength: 6000 lbs. (2722kg)

STITCHING THREAD

Material: High-tenacity polyester

METAL COMPONENT

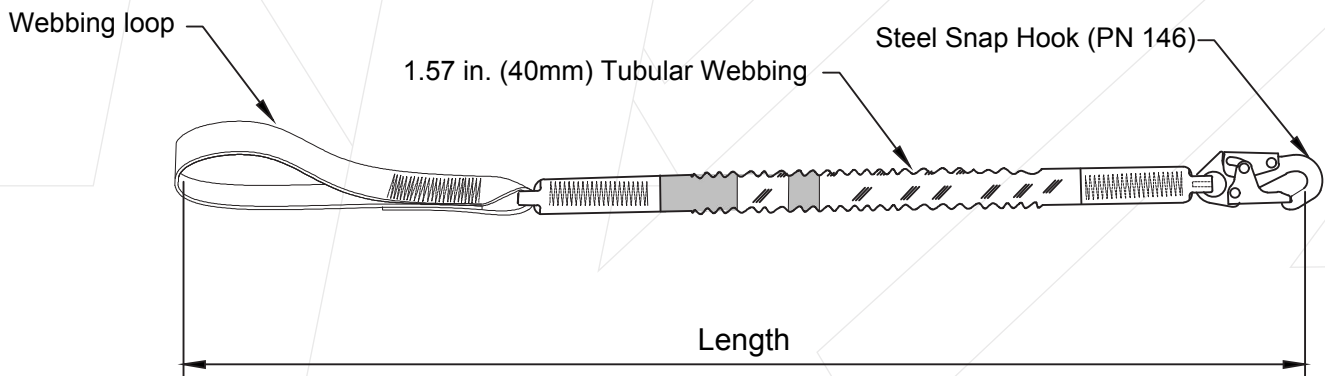
Material: Alloy steel
Finish: Silver or Golden Yellow Galvanized
Breaking Strength: 5000 lbs. (2268kg)

WEIGHT

1.72 lbs. \pm 0.02 lbs. (780 gm \pm 10 gm)

RELEVANT STANDARDS

Meets or Exceeds ANSI Z359.13-2013



Stitching Pattern

Meets or Exceeds ANSI Z359.13-2013