

KStrong® 6 ft. Twin Leg 100% Tie-off Arc Flash Rated Shock Absorbing Lanyard with Loop and (2) Snap Hooks (ANSI)

Model: UFL201750

DESIGN

- 1.18" (30mm) webbing lanyard incorporated with Energy absorber
- One side of the lanyard equipped with two (2) steel snap hooks and the other side of the lanyard equipped with loop for attachment to harness

WEBBING

Material: Nomex
Width: 1.18" ± 0.03" (30 ± 1mm)
Breaking Strength: 5000 lbs. (2268kg)(Min)

STITCHING THREAD

Material: Kevlar

METAL COMPONENTS

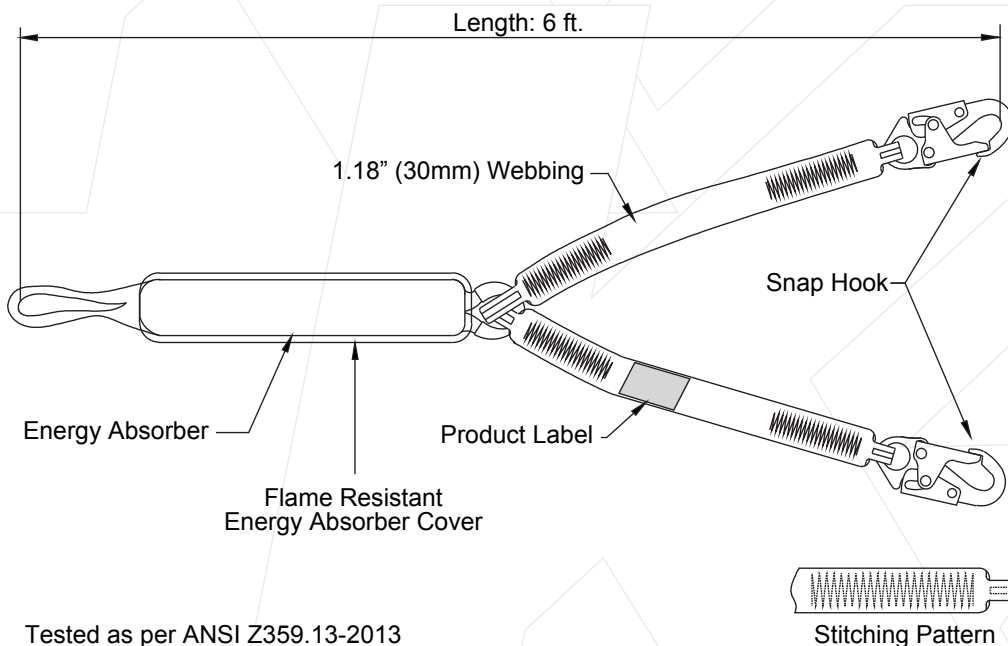
Material: Alloy Steel
Finish: Silver or Golden Yellow Galvanized
Breaking Strength: 5,000 lbs. (2268kg)(Min)

WEIGHT

2.84 lbs. ± 0.02 lbs. (1290gm ± 10gm)

RELEVANT STANDARDS

Meets or Exceeds ANSI Z359.13-2013, ASTM F887-20



Tested as per ANSI Z359.13-2013