

## KStrong® 4 ft. Twin Leg 100% Tie-off Clear Pack Design Shock Absorbing Lanyard with Snap Hooks (ANSI)

Model: UFL201121(04)

KStrong® 4 ft. Twin leg 100% tie-off Clear pack design shock absorbing lanyard with three (3) snap hooks (ANSI)

### DESIGN

- Double, Y-shaped lanyard incorporated with energy absorber
- All ends of the lanyard equipped with steel snap hook

### WEBBING

Material: Polyester  
Width: 1.18 in.  $\pm$  0.04 in. (30mm  $\pm$  1mm)  
Breaking Strength: 6000 lbs. (2722kg)

### STITCHING THREAD

Material: High-tenacity polyester

### METAL COMPONENT

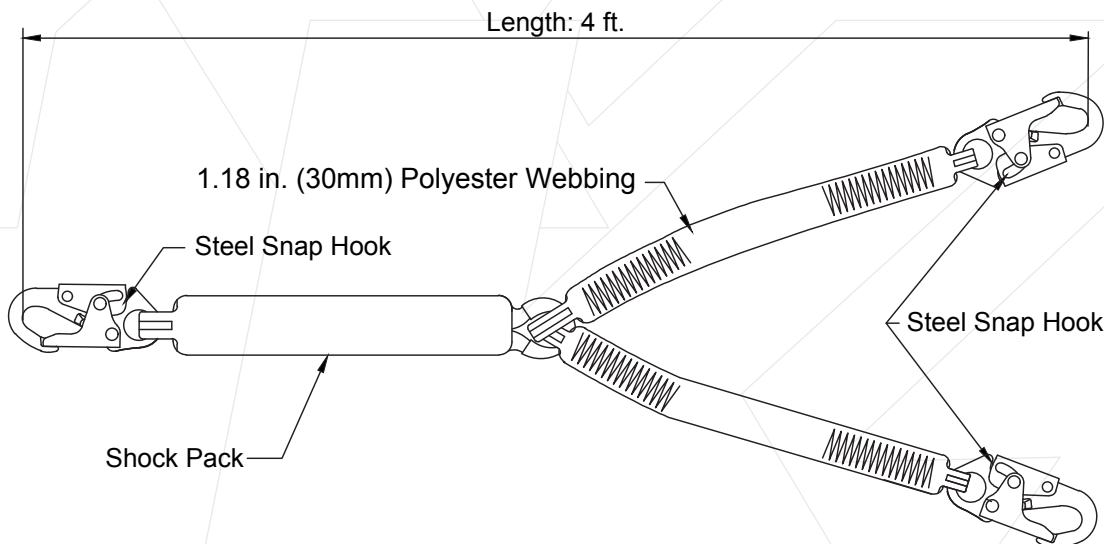
Material: Alloy Steel | Plating: Zinc Plated | Finish: Shot blasted  
Breaking Strength: 5000 lbs (2268kg).

### WEIGHT

5.67 lbs.  $\pm$  0.02 lbs. (2574gm  $\pm$  10gm)

### RELEVANT STANDARDS

Meets or Exceeds ANSI Z359.13-2013



STITCHING DESIGN

Batch #: \_\_\_\_\_ Serial #: \_\_\_\_\_  
Date of First Use: \_\_\_\_\_