

KStrong® 4 ft. Clear Pack Design Shock Absorbing Lanyard with Snap Hooks (ANSI)

Model: UFL201101(04)

KStrong® 4 ft. Clear pack design shock absorbing lanyard with two (2) snap hooks (ANSI).

DESIGN

- Single leg lanyard incorporated with energy absorber (PN 500).
- Both ends of the lanyard equipped with steel snap hook (PN-146).

WEBBING

Material: Polyester
Width: 1.18 in. \pm 0.04 in. (30mm \pm 1mm)
Breaking Strength: 6000 lbs. (2722kg)

STITCHING THREAD

Material: High-tenacity polyester

METAL COMPONENT

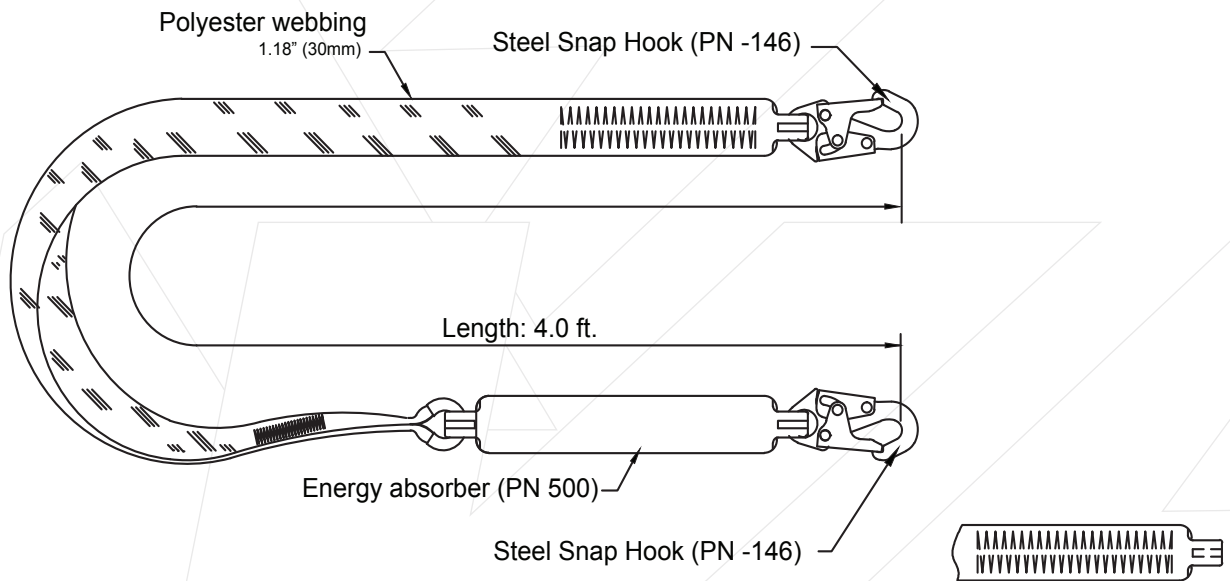
Material: Alloy Steel
Finish: Silver or Golden Yellow Galvanized
Breaking Strength: 5000 lbs. (2268kg)

WEIGHT

2.76 lbs. \pm 0.02 lbs. (1252g \pm 10g)

RELEVANT STANDARDS

Meets or Exceeds ANSI Z359.13-2013



Meets or Exceeds ANSI Z359.13-2013

Stitching Pattern