

KStrong® Kapture™ Essential 3-Point Full Body Harness, Dorsal D-Ring, MB Legs (ANSI)

KIT MODEL	HARNESS	SIZE	WEIGHT
UFK20410(S-L)	UFH10101P(S-L)	Small to Large	2.50 lbs. ± 0.02 lbs. (1134 gm ± 10 gm)
UFK20410(L-XL)	UFH10101P(L-XL)	Large to X-Large	2.60 lbs. ± 0.02 lbs. (1179 gm ± 10 gm)

KStrong® Kapture™ Essential 3-Point Adjust Lightweight Full Body Harness with One (1) Dorsal D-Ring and Mating Buckle Leg Closures (ANSI)

DESIGN

- One dorsal attachment D-ring for fall arrest.
- Adjustable leg straps.

WEBBING

Material: Polyester
Width: 1.73 in. ± 0.04 in. (44mm ± 1mm)
Breaking Strength: 5000 lbs.

STITCHING THREAD

Material: High-tenacity polyester

METAL COMPONENT

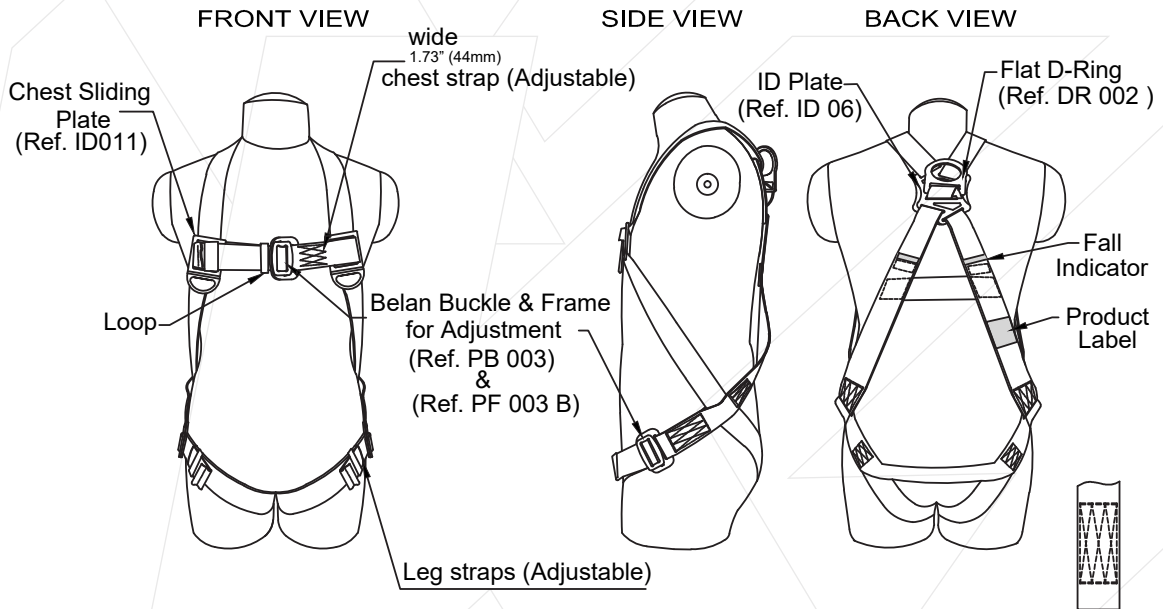
Material: Alloy Steel
Finish: Silver or Golden Yellow Galvanized

CAPACITY RANGE

ANSI: 130 - 310 lbs.; OSHA: 420 lbs.

RELEVANT STANDARDS

Meets or Exceeds ANSI Z359.11-2014



Meets or Exceeds ANSI Z359.11-2014



STITCHING DESIGN

KStrong® 6 ft. Adjustable Work Positioning Lanyard with snap hooks (ANSI)

Model: UFL205211

KStrong® 6 ft. Adjustable (from 4.5 ft. to 6 ft..) Work Positioning Lanyard with snap hooks (ANSI)

DESIGN

- 1.57 in. (40mm) wide polyester tubular webbing incorporated with 1.18 in. (30mm) webbing
- Adjuster ring provides adjustment from 4 - 6 ft.
- Both ends of lanyard is equipped with Forged Snap Hook (PN 145)

WEBBING

Material: Polyester
Width: 1.57 in. \pm 0.04 in. (40mm \pm 1mm)
Tensile Strength: 7000 lbs. (3175kg)

STITCHING THREAD

Material: High-tenacity polyester

METAL COMPONENT

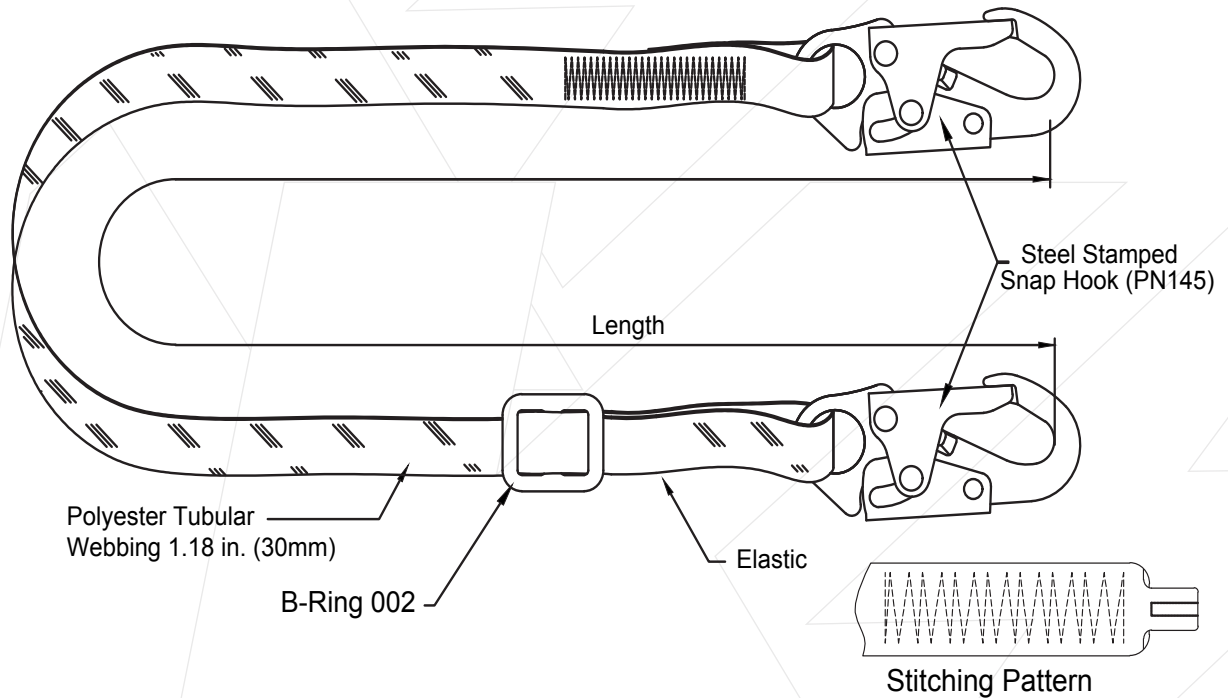
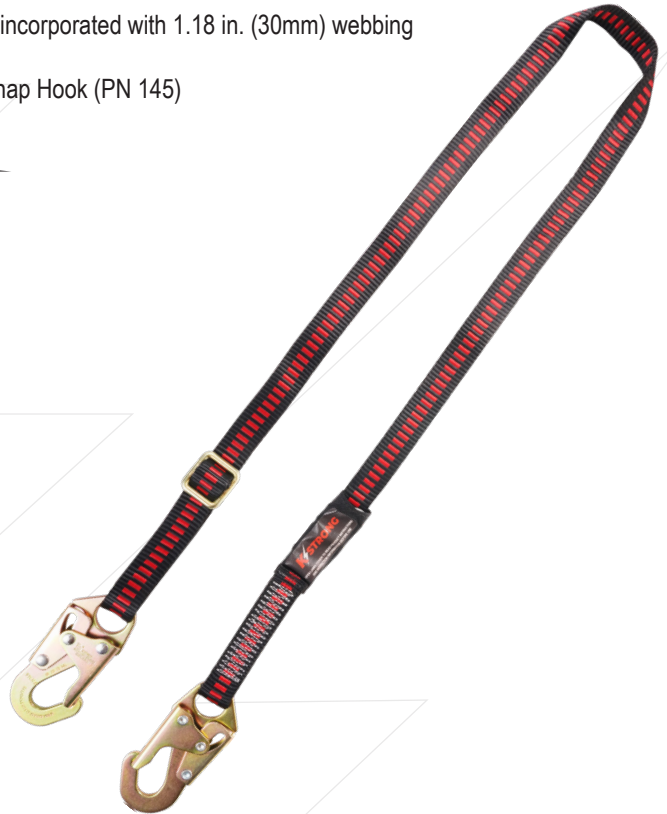
Material: Alloy steel
Plating: Zinc plated
Finish: Shot blasted
Breaking Strength: 23 kN (5000 lbs.) (2268kg)

WEIGHT

2.29 lbs. \pm 0.02 lbs. (1040 gm. \pm 10 gm)

RELEVANT STANDARDS

Meets or Exceeds ANSI Z359.3-2017



Meets or Exceeds ANSI Z359.3-2017

Length: 6 ft.