

### KStrong® Kapture™ Elite 5-Point Full Body Harness, Dorsal D-Ring, MB Legs (ANSI)

KStrong® Kapture™ Elite 5-Point Adjust Full Body Harness with One (1) Dorsal D-Ring and Mating Buckle Leg Closures (ANSI)

MODEL	SIZE	WEIGHT
UFH10201P(L-XL)	Large to X-Large	3.36 lbs. ± 0.02 lbs. (1524 gm ± 10 gm)

#### DESIGN

- One dorsal attachment D-ring for fall arrest.
- Adjustable Shoulder straps.
- Adjustable leg straps.

#### WEBBING

Material: Polyester  
Width: 1.73 in. ± 0.04 in. (44mm ± 1mm)  
Breaking Strength: 5000 lbs.

#### STITCHING THREAD

Material: High-tenacity polyester

#### METAL COMPONENT

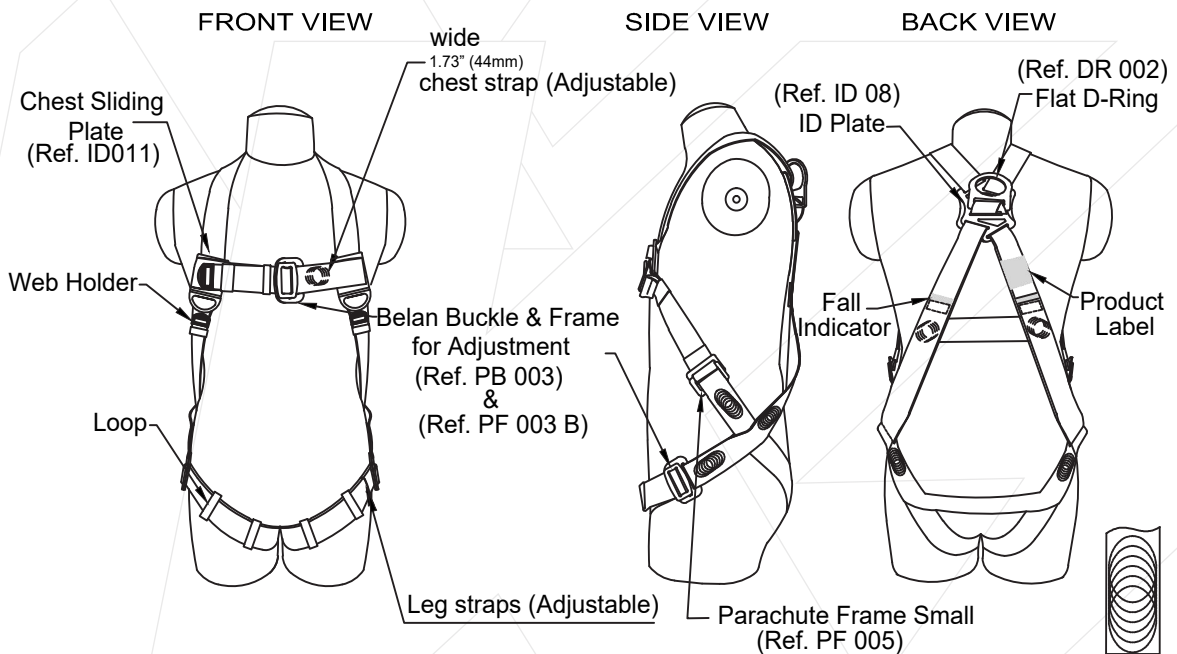
Material: Alloy Steel  
Finish: Silver or Golden Yellow Galvanized

#### CAPACITY RANGE

ANSI: 130 - 310 lbs.; OSHA: 420 lbs.

#### RELEVANT STANDARDS

Meets or Exceeds ANSI Z359.11-2014



Meets or Exceeds ANSI Z359.11-2014

## KStrong® 6 ft. internal design SAL with one loop and one snap hook (ANSI)

Model: UFL204102

KStrong® 6 ft. internal design shock absorbing lanyard with one (1) loop and one (1) snap hook (ANSI)

### DESIGN

- 1.57 in. wide polyester tubular webbing incorporated with energy absorbing (6 ft.) polyester webbing. Both ends have a textile loop with steel stamped snap hook (PN 146) at one end and ebbing loop at other end.

### WEBBING

Material: Polyester  
Width: 1.57 in.  $\pm$  0.04 in. (40mm  $\pm$  1mm)  
Breaking Strength: 6000 lbs. (2722kg)

### STITCHING THREAD

Material: High-tenacity polyester

### METAL COMPONENT

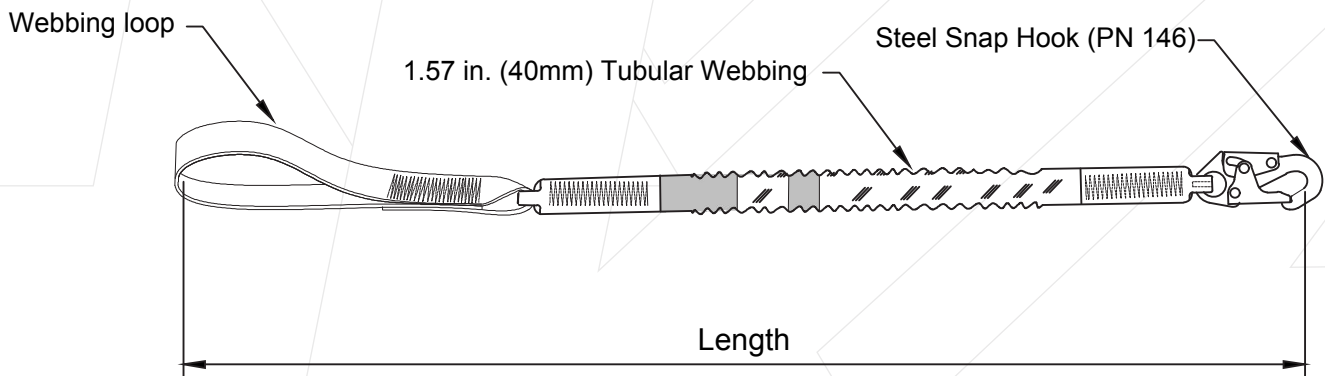
Material: Alloy steel  
Finish: Silver or Golden Yellow Galvanized  
Breaking Strength: 5000 lbs. (2268kg)

### WEIGHT

1.72 lbs.  $\pm$  0.02 lbs. (780 gm  $\pm$  10 gm)

### RELEVANT STANDARDS

Meets or Exceeds ANSI Z359.13-2013



Meets or Exceeds ANSI Z359.13-2013



Stitching Pattern