

KStrong® Kapture™ Essential 3-Point Full Body Harness, Dorsal D-Ring, MB Legs (ANSI)

KStrong® Kapture™ Essential 3-Point Adjust Lightweight Full Body Harness with One (1) Dorsal D-Ring and Mating Buckle Leg Closures (ANSI)

| MODEL | SIZE | WEIGHT |
|----------------|----------------|--|
| UFH10101P(S-L) | Small to Large | 2.50 lbs. ± 0.02 lbs. (1134 gm ± 10 gm) |

DESIGN

- One dorsal attachment D-ring for fall arrest.
- Adjustable leg straps.

WEBBING

Material: Polyester
Width: 1.73 in. ± 0.04 in. (44mm ± 1mm)
Breaking Strength: 5000 lbs.

STITCHING THREAD

Material: High-tenacity polyester

METAL COMPONENT

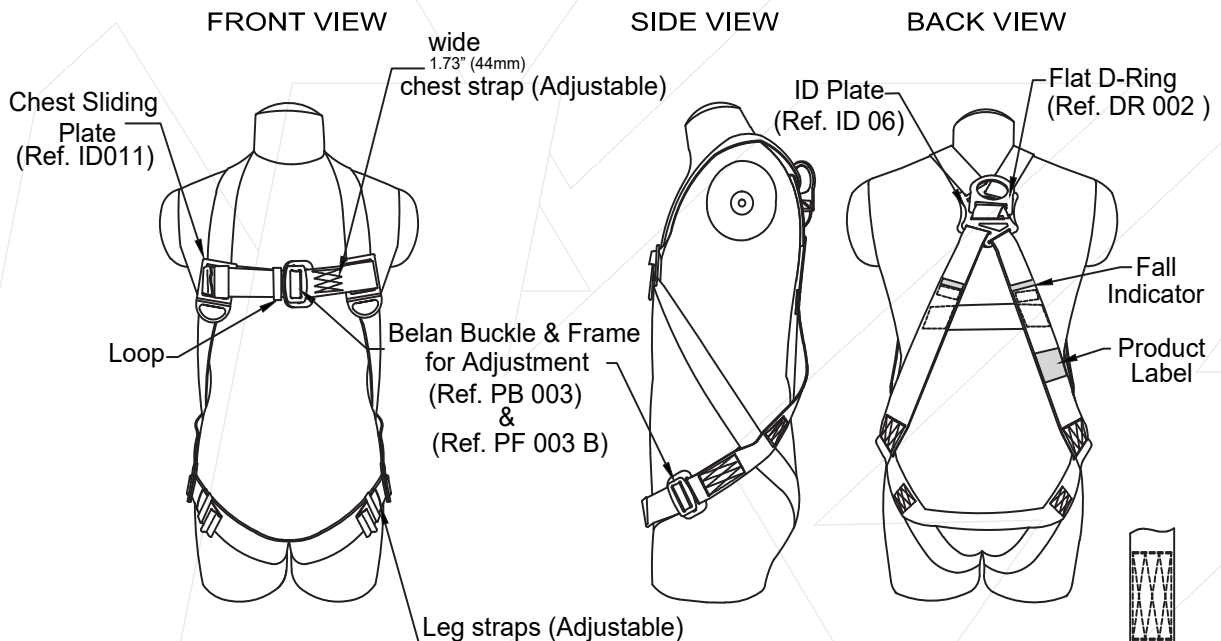
Material: Alloy Steel
Finish: Silver or Golden Yellow Galvanized

CAPACITY RANGE

ANSI: 130 - 310 lbs.; OSHA: 420 lbs.

RELEVANT STANDARDS

Meets or Exceeds ANSI Z359.11-2014



STITCHING DESIGN

Meets or Exceeds ANSI Z359.11-2014

KStrong® 6 ft. internal design SAL with one loop and one snap hook (ANSI)

Model: UFL204102

KStrong® 6 ft. internal design shock absorbing lanyard with one (1) loop and one (1) snap hook (ANSI)

DESIGN

- 1.57 in. wide polyester tubular webbing incorporated with energy absorbing (6 ft.) polyester webbing. Both ends have a textile loop with steel stamped snap hook (PN 146) at one end and ebbing loop at other end.

WEBBING

Material: Polyester
Width: 1.57 in. \pm 0.04 in. (40mm \pm 1mm)
Breaking Strength: 6000 lbs. (2722kg)

STITCHING THREAD

Material: High-tenacity polyester

METAL COMPONENT

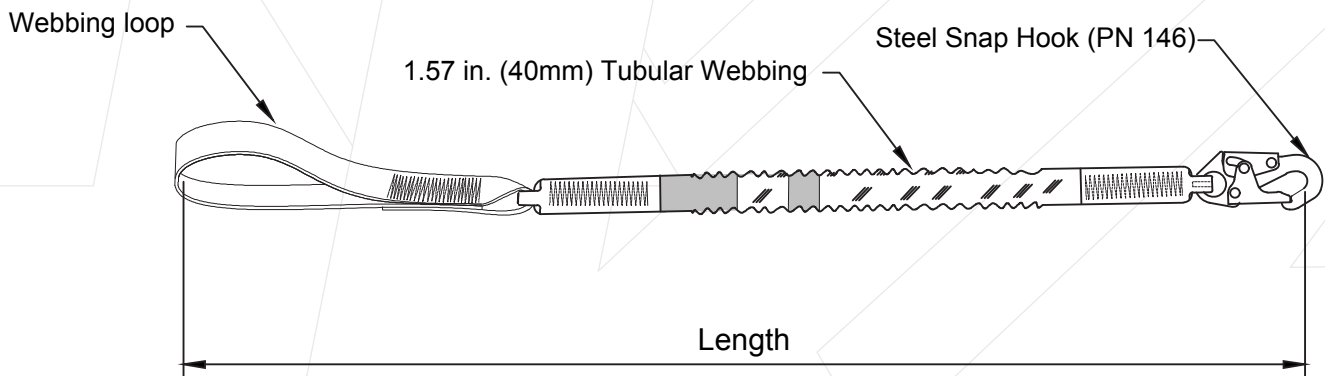
Material: Alloy steel
Finish: Silver or Golden Yellow Galvanized
Breaking Strength: 5000 lbs. (2268kg)

WEIGHT

1.72 lbs. \pm 0.02 lbs. (780 gm \pm 10 gm)

RELEVANT STANDARDS

Meets or Exceeds ANSI Z359.13-2013



Meets or Exceeds ANSI Z359.13-2013



Stitching Pattern