

KStrong® Kapture™ Element Arc Flash Rated 5-Point Full Body Harness Padded with Belt, 3 D-rings, Mating Buckle Legs and Chest (ANSI)

MODEL	SIZE	WEIGHT
UFH10731P(S-L)	Small to Large	5.84 lbs. ± 0.02 lbs. (2650 gm ± 10 gm)
UFH10731P(L-XL)	Large to X-Large	6.00 lbs. ± 0.02 lbs. (2720 gm ± 10 gm)

KStrong® Kapture™ Element Arc Flash Rated 5-Point Adjust Full Body Harness with One (1) Back D-Ring, Two (2) Side D-Rings, Padded Back and Shoulders, Comfort Waist Pad and Tool Belt, and Mating Buckle Leg and Chest Closures (ANSI)

DESIGN

- 5-Point adjustable full body harness made with FR webbing.
- Shoulder, chest, and leg straps with Dielectric friction buckles for easy adjustment
- One back Dielectric D-Rings for fall arrest
- Two Dielectric D-Rings at the waist level for work positioning
- Waist Belt for Lumbar support

WEBBING

Material: Aramid
Width: 1.73 in. ± 0.04 in. (44mm ± 1mm)
Breaking Strength: 5000 lbs.

STITCHING THREAD

Material: Kevlar

METAL COMPONENT

Material: Alloy Steel core with reinforced Polymer.
Finish : Black Moulded

CAPACITY RANGE

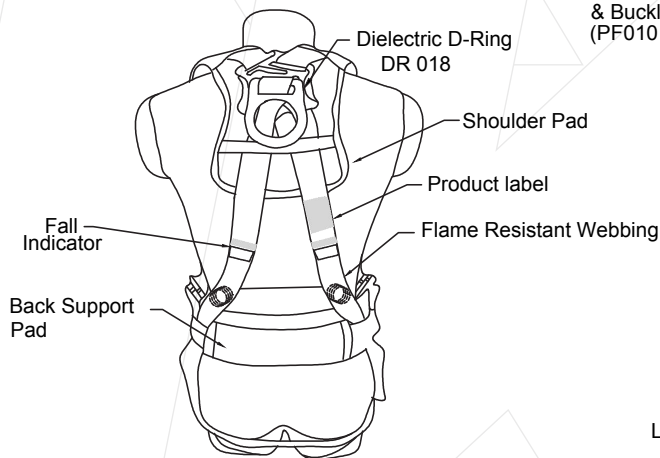
ANSI: 130 - 310 lbs.; OSHA: 420 lbs.

RELEVANT STANDARDS

Meets or Exceeds ANSI Z359.11-2021, ASTM F887-20

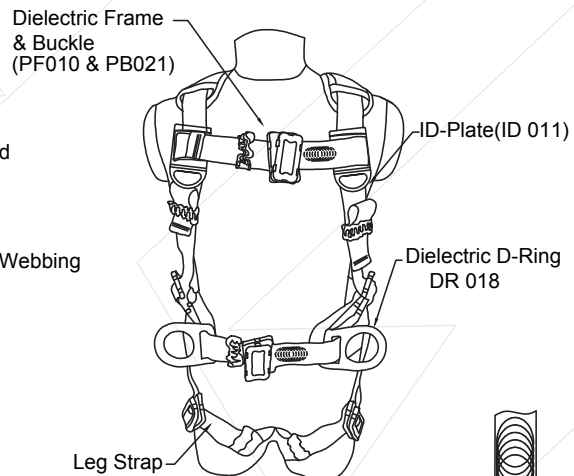


BACK VIEW



Meets or Exceeds ANSI Z359.11-2021, ASTM F887-20

FRONT VIEW



STITCHING DESIGN