

KStrong® 3 ft. Manual Shock Absorbing Rope Grab Assembly (ANSI)

Model: UFG611020

KStrong® 3 ft. Manual Shock Absorbing Rope Grab Assembly for 5/8" Diameter Approved Rope Vertical Lifelines. One (1) snap hook on end connecting to harness, other end having manual rope grab (ANSI)

DESIGN

- Connected with shock pack and has snap hook as attachment.
- 1.73" (44mm) wide tear webbing for energy absorption.
- 1.73" (44mm) wide polyester webbing as backup strap and stitched around the free end of tear webbing to form loops for attachment. The entire assembly folded and packed in thick Polyethylene sleeve with synthetic labels.
- Rope Grab is used for rope access.

WEBBING

Material: Polyester.
Width: 1.73" ± 0.04" (44 ± 1 mm)
Breaking strength: 5000 lbs. (Min)

STITCHING THREAD

Material: High Tenacity Polyester.

METAL COMPONENTS

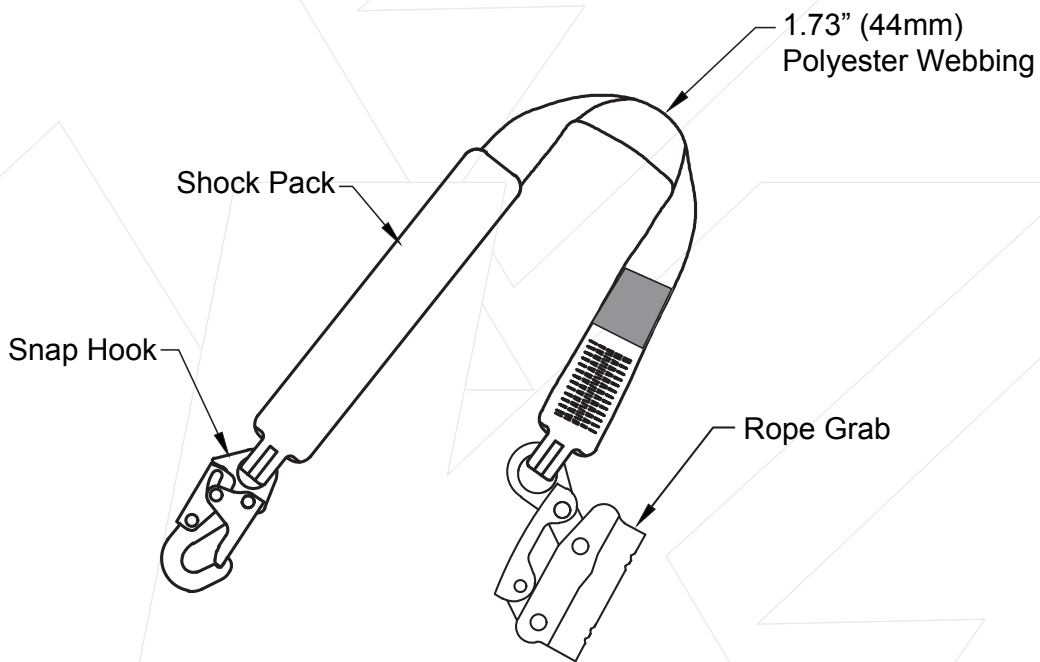
Material: Alloy Steel
Finish: Silver or Gold Yellow Galvanized

WEIGHT

2.69 lbs. ± 0.02 lbs. (1220 gm ± 10 gm)

RELEVANT STANDARDS

Meets or Exceeds ANSI Z359.1-2007



Meets or Exceeds ANSI Z359.1-2007

Length: 3 Feet