

KStrong® IMPACT™ Extremity (Start/ Stop) Anchor Plate (SS316) with (2) M12 Fasteners (Column / Wall and Overhead / Ceiling Mount HLL Systems)

Model: UFF113710

DESIGN

- Stainless steel Universal Extremity plate is used to create an anchor point at the ends of the lifeline.
- Supplied with M12 fasteners to install it on different structures.

MATERIAL

Stainless Steel

FINISH

Electropolished / E Coated

STATIC STRENGTH

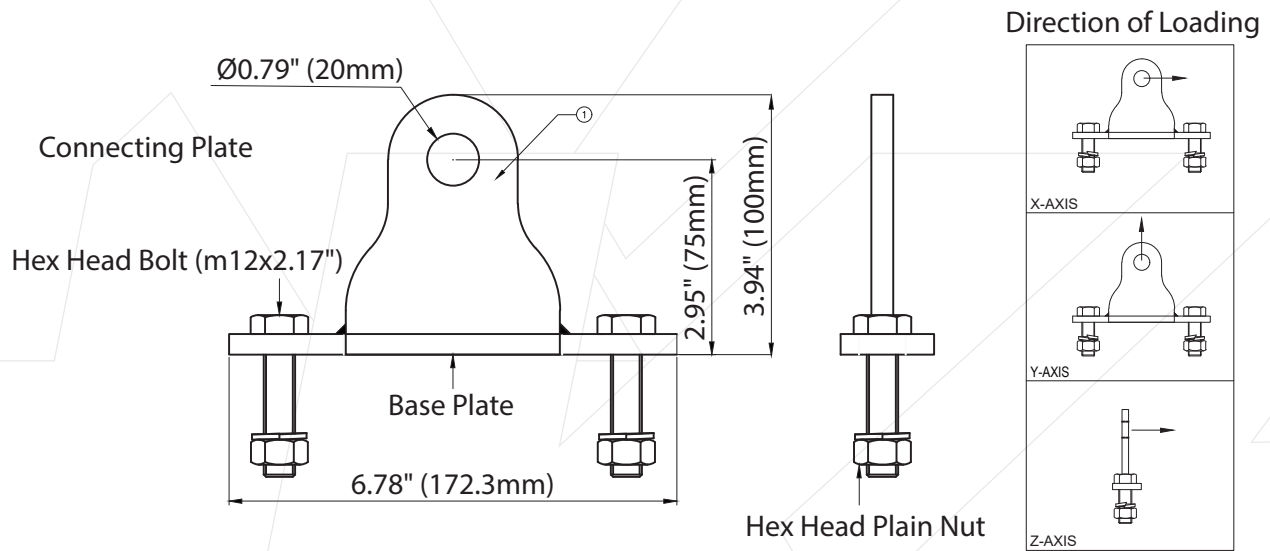
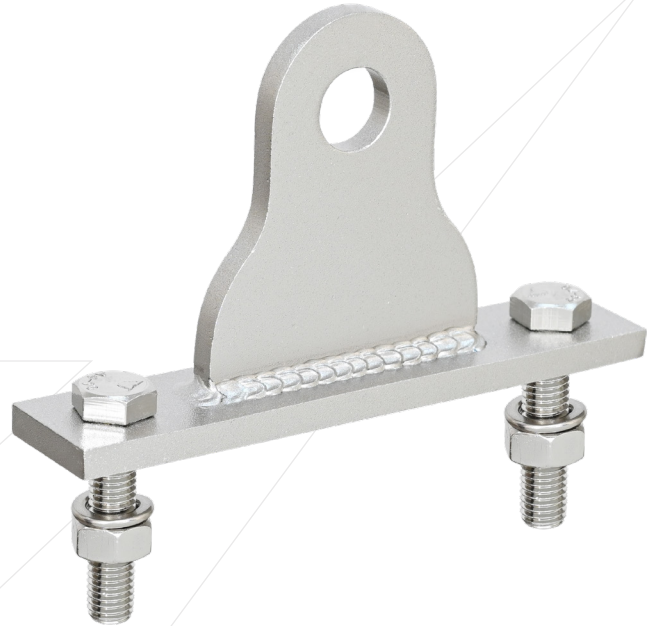
- X - Axis: 45 kN
- Y - Axis: 45 kN
- Z - Axis: 45 kN

WEIGHT

1.89 lbs. ± 0.1 lbs. (0.86kg ± 0.05kg)

RELEVANT STANDARDS

Meets or Exceeds EN 795: 2012 Type A & TS16415: 2013 Type A



Batch #: _____ Serial #: _____
Date of First Use: _____