

KStrong® Twin/Single Connector with Steel Pin (ANSI)

Model: UFC409151

Dorsal D-ring attachment carabiner designed for use with Micron™ SRL's in either a twin or single SRL setup.

DESIGN

Ultimate solution to attach SRL directly with user's harness, no additional connector is required. Also reduces the length of swing during the fall thereby preventing impact of SRL on the back of user's head.

MATERIAL

Made of high strength alloy steel.

MINIMUM BREAKINGSTRENGTH

Major Axis : 5000kN
Minor Axis : 3000kN

FINISH

Galvanized Zinc plated in yellow passivation.

WEIGHT

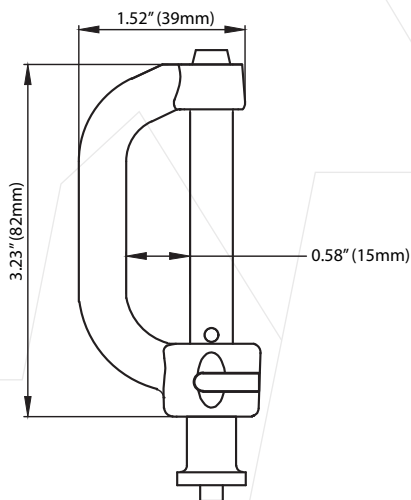
0.33 lbs ± 0.022 lbs. (150 gm ± 10 gm)

RELEVANT STANDARDS

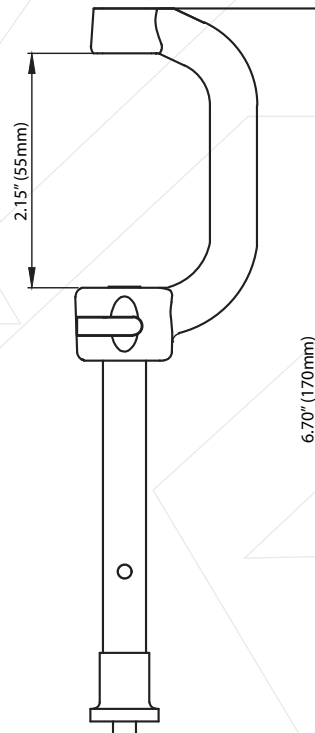
Meets or Exceeds ANSI Z359.12-2009



CLOSED CONDITION



OPEN CONDITION



Meets or Exceeds ANSI Z359.12-2009