

KStrong® Kapture™ Elite 5-Point Full Body Harness, Dorsal D-Ring, MB Legs (ANSI)

MODEL	SIZE	WEIGHT
UFH10201P(L-XL)	Large to X-Large	3.36 lbs. ± 0.02 lbs. (1524 gm ± 10 gm)

KStrong® Kapture™ Elite 5-Point Adjust Full Body Harness with One (1) Dorsal D-Ring and Mating Buckle Leg Closures (ANSI)



DESIGN

- One dorsal attachment D-ring for fall arrest
- Adjustable shoulder straps
- Adjustable mating buckle leg straps

WEBBING

Material: Polyester
Width: 1.73 in. ± 0.04 in. (44mm ± 1mm)
Breaking Strength: 5000 lbs.

STITCHING THREAD

Material: High-tenacity polyester

METAL COMPONENT

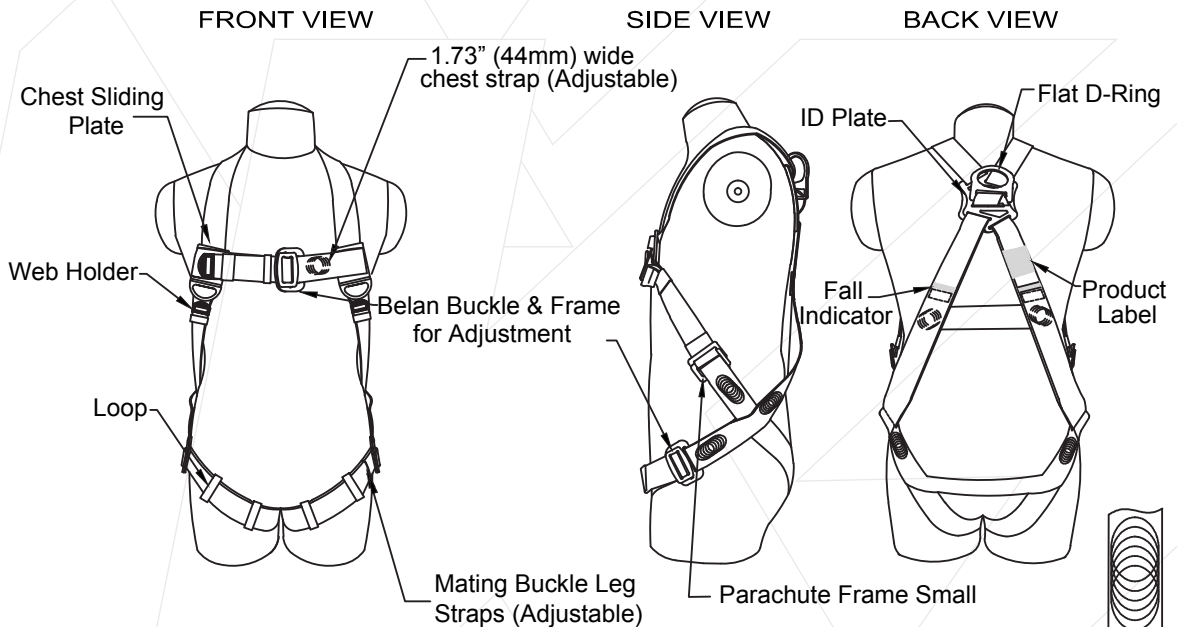
Material: Alloy Steel
Finish: Silver or Golden Yellow Galvanized

CAPACITY RANGE

ANSI: 130 - 310 lbs.; OSHA: 420 lbs.

RELEVANT STANDARDS

Meets or Exceeds ANSI Z359.11-2021



Meets or Exceeds ANSI Z359.11-2021



STITCHING DESIGN

KStrong® Hinged Reusable Steel Roof Anchor (ANSI)

Model: UFA30001

KStrong® hinged reusable galvanized steel roof anchor with D-Ring and powder coated (ANSI)

DESIGN

- An ideal anchorage device to be fixed on wooden beams used in roofing.
- Consists of two steel flaps each having 16 holes which can be fitted on the two sides of a wooden beam by means of nails inserted in the holes.
- The D-Ring can be safely used as an anchorage point.

CABLE

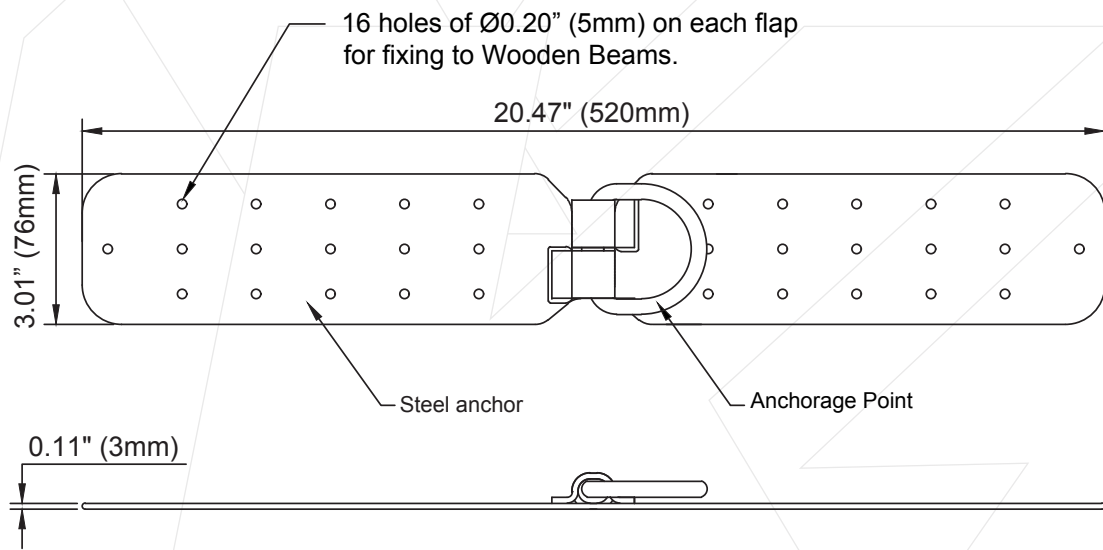
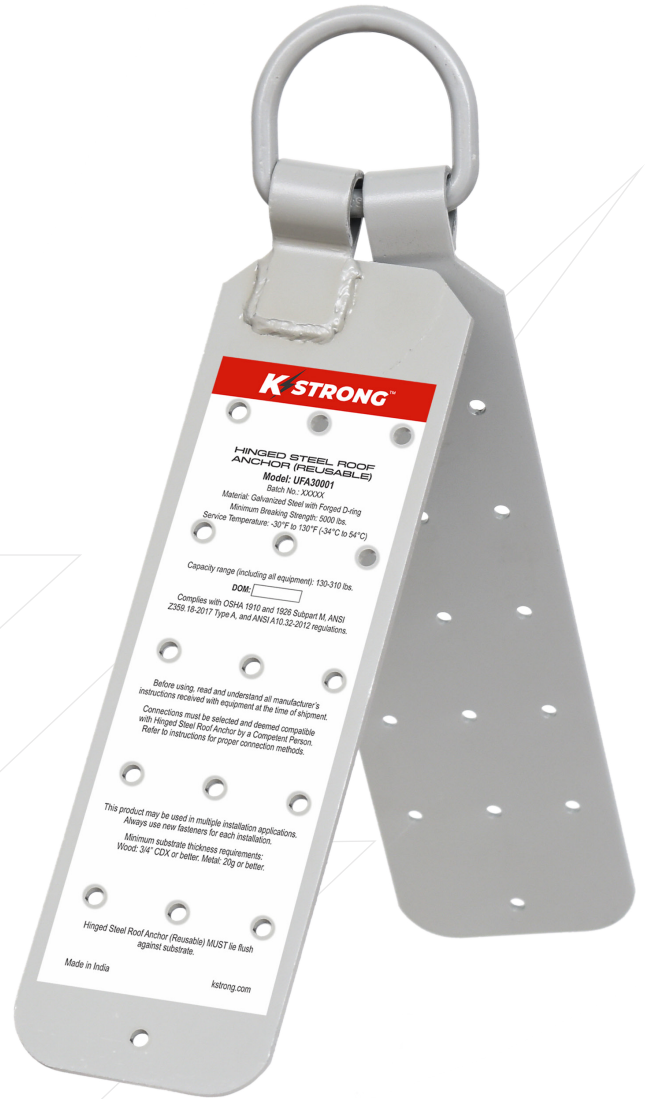
Material: High Strength Alloy Steel
 Minimum Breaking Strength: 5000 lbs.
 Finish: Power Coated or Zinc Plated

WEIGHT

2.39 lbs. ± 0.22 lbs. (1084 gm ± 100 gm)

RELEVANT STANDARDS

Meets or Exceeds ANSI Z359.18-2017



Meets or Exceeds ANSI Z359.18-2017

KStrong® 50 ft. Vertical Rope Lifeline, Locking Snap hook on anchor end, other end cut and taped

Model: UFR100050

KStrong® 50 ft. Vertical 5/8" Diameter Polysteel Rope Lifeline, Locking Snap hook on anchor end, other end cut and taped (ANSI)

DESIGN

- This lifeline is made up of high strength Polysteel Twisted rope
- The diameter of the rope is 5/8"
- It is provided with snap hook (PN 146) spliced at one end and the other side a stop knot

LENGTH

50 ft.

MATERIAL

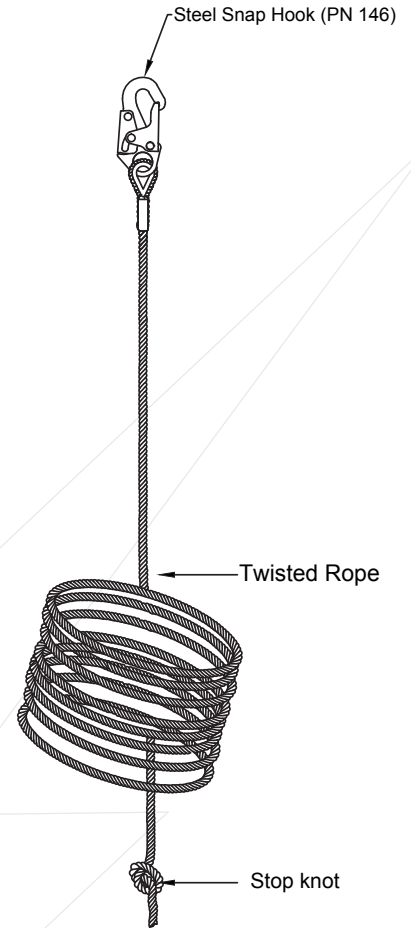
Polysteel

WEIGHT

7.91 lbs. ± 0.02 lbs. (3588 gm. ± 10 gm)

RELEVANT STANDARDS

Meets or Exceeds ANSI Z359.1-2007



Meets or Exceeds ANSI Z359.1-2007



KStrong® 3 ft. Openable Rope Grab with Shock Pack Lanyard

Model: UFG611010

3' Self tracking non-captive openable shock absorbing rope grab assembly.
For use on 5/8" rope.

DESIGN

- Rope grab equipped with double locking closing mechanism
- Connected with a Shock Pack and has a Snap Hook (PN 146) at the end for attachment to the harness
- The rope grab is used over the twisted rope life line

WEBBING

Material: Polyester
Width: 1.73 in. \pm 0.03 in. (44 mm \pm 1 mm)
Breaking Strength: 5000 lbs. (Min)

STITCHING THREAD

Material: High-tenacity Polyester

METAL COMPONENT

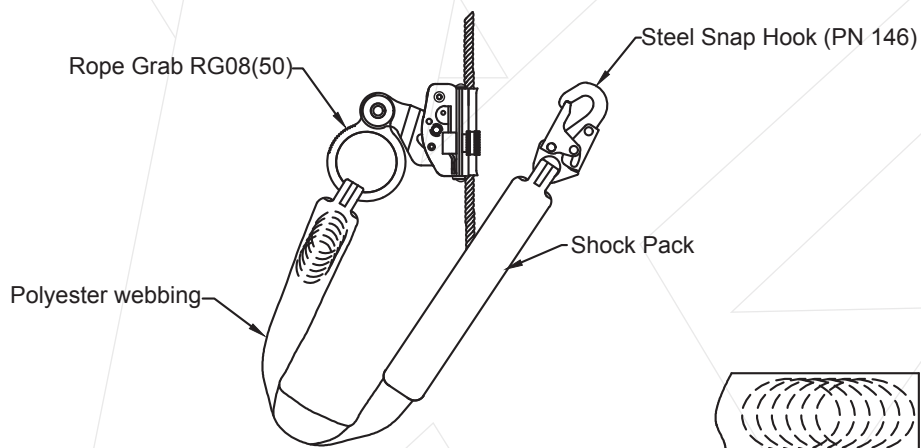
Material: Alloy Steel
Finish: Silver or Golden Yellow Galvanized

WEIGHT

2.82 lbs. \pm 0.02 lbs. (1280 gm \pm 10 gm)

RELEVANT STANDARDS

Meets or Exceeds ANSI Z359.15-2014



Meets or Exceeds ANSI Z359.15-2014

Stitching Pattern