

KAPTURE ELITE LV2 || FULL BODY HARNESS

Model: UFH15201GQ

KStrong® Kapture™ Elite+ 5-Point FBH, Enhanced Dorsal D-ring, TB Legs, QC Chest, Shoulder Pad, All Black Fittings (ANSI)

KStrong® Kapture™ Elite+ 5-Point Adjust Full Body Harness with Shoulder Pad and Tongue Buckle Legs, One (1) Enhanced Back D-Ring, Quick Connect Chest, and All Black Fittings (ANSI)

MODEL

UFH15201GQ(M-L)

SIZE

Medium to
Large

WEIGHT

3.76 lbs. ± 0.02 lbs.
(1705 gm ± 10 gm)



DESIGN

- One dorsal attachment enhanced D-ring for fall arrest
- Adjustable Shoulder, Leg, and Chest straps
- Grommeted leg straps
- Equipped with shoulder pad

WEBBING

Material: Polyester
Width: 1.73 in. ± 0.04 in. (44mm ± 1mm)
Breaking Strength: 5000 lbs.

STITCHING THREAD

Material: High-tenacity polyester

METAL COMPONENT

Material: Alloy Steel; Finish: PCB

CAPACITY RANGE

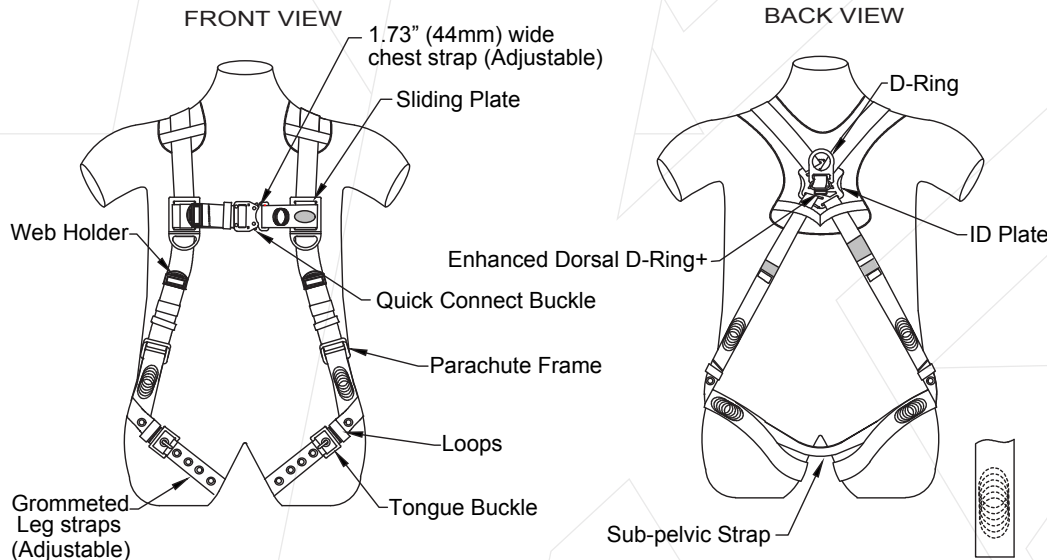
ANSI: 130 - 310 lbs.; OSHA: 420 lbs.

RELEVANT STANDARDS

Meets or Exceeds ANSI Z359.11-2021



UFZ850100 Trauma
Relief Straps Included



Meets or Exceeds ANSI Z359.11-2021

KStrong® Trauma Relief Pack

Model: UFZ850100

KStrong® Trauma Relief Pack - Compact, lightweight and easy to use.

DESIGN

- 0.79 in. (358gm) polyester webbing
- Formed pouch for holding the straps
- Textile loops are given on the straps for adjustment at different heights

WEBBING

Material: Polyester
Width: 0.79 in. \pm 0.04 in. (358 gm \pm 18 gm)
Breaking strength: 445lbs. (200 Kg)

STITCHING THREAD

Material: High-tenacity polyester

METAL COMPONENT

Material: Steel
Plating: Zinc plating
Finish: Deburred & Polished

WEIGHT

0.24 lbs. \pm 0.02 lbs. (109 gm \pm 10 gm)



KStrong® Hinged Reusable Steel Roof Anchor (ANSI)

Model: UFA30001

KStrong® hinged reusable galvanized steel roof anchor with D-Ring and powder coated (ANSI)

DESIGN

- An ideal anchorage device to be fixed on wooden beams used in roofing.
- Consists of two steel flaps each having 16 holes which can be fitted on the two sides of a wooden beam by means of nails inserted in the holes.
- The D-Ring can be safely used as an anchorage point.

CABLE

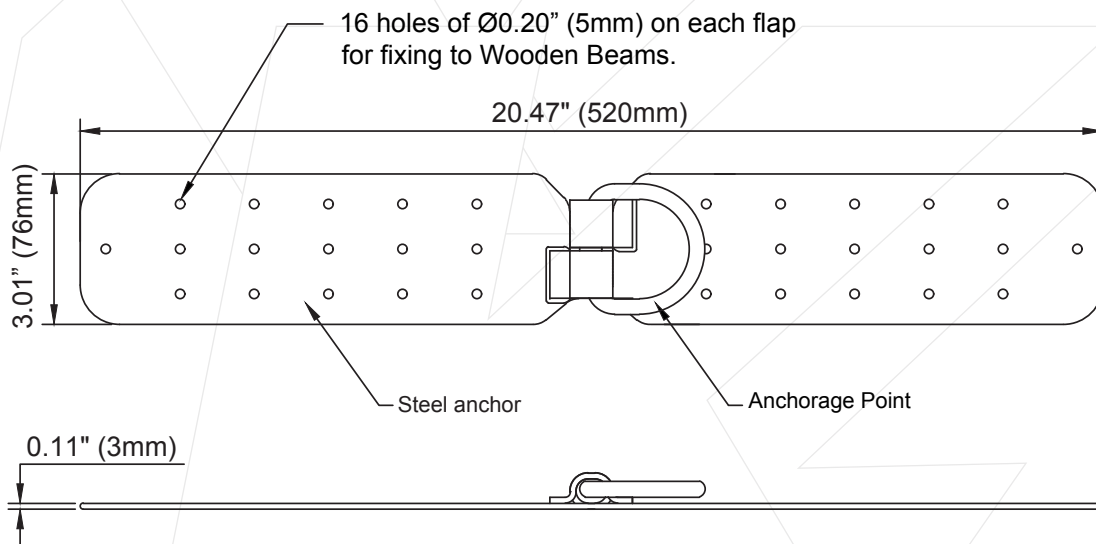
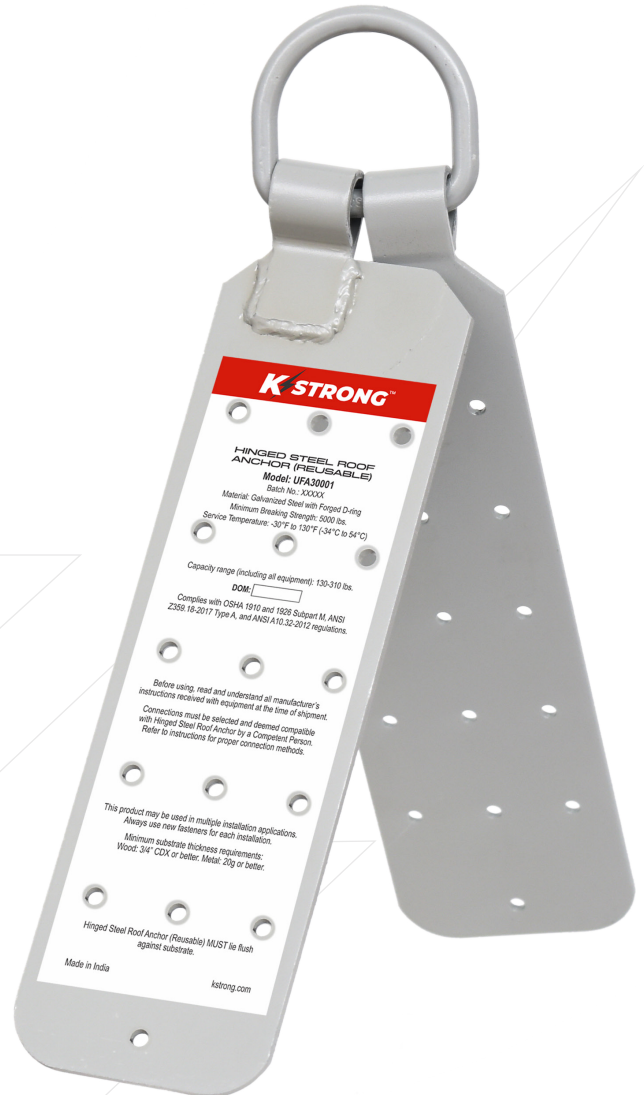
Material: High Strength Alloy Steel
 Minimum Breaking Strength: 5000 lbs.
 Finish: Power Coated or Zinc Plated

WEIGHT

2.39 lbs. ± 0.22 lbs. (1084 gm ± 100 gm)

RELEVANT STANDARDS

Meets or Exceeds ANSI Z359.18-2017



Meets or Exceeds ANSI Z359.18-2017

KStrong® 25 ft. Vertical Rope Lifeline, Locking Snap hook on anchor end, other end cut and taped

Model: UFR100025

KStrong® 25 ft. Vertical 5/8" Diameter Polysteel Rope Lifeline, Locking Snap hook on anchor end, other end cut and taped (ANSI)

DESIGN

- This lifeline is made up of high strength Polysteel Twisted rope
- The diameter of the rope is 5/8"
- It is provided with snap hook (PN 146) spliced at one end and the other side a stop knot

LENGTH

25 ft.

MATERIAL

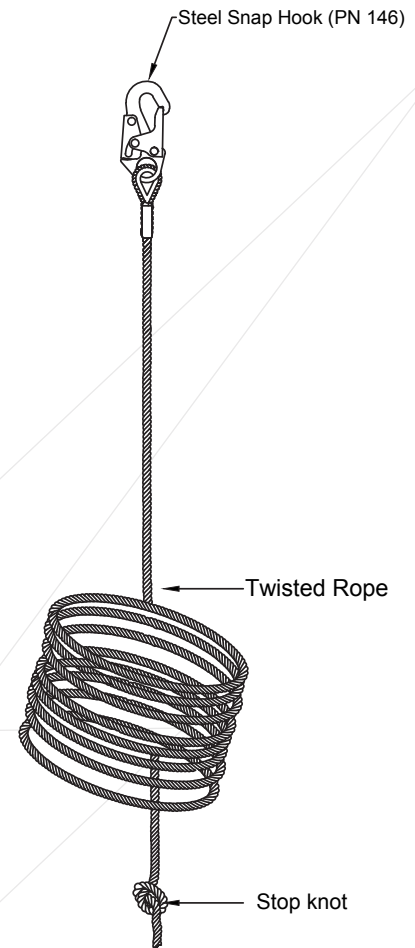
Polysteel

WEIGHT

3.23 lbs. ± 0.02 lbs. (1465 gm. ± 10 gm)

RELEVANT STANDARDS

Meets or Exceeds ANSI Z359.1-2007



Meets or Exceeds ANSI Z359.1-2007

KStrong® 3 ft. Manual Shock Absorbing Rope Grab Assembly (ANSI)

Model: UFG611020

KStrong® 3 ft. Manual Shock Absorbing Rope Grab Assembly for 5/8" Diameter Approved Rope Vertical Lifelines. One (1) snap hook on end connecting to harness, other end having manual rope grab (ANSI)

DESIGN

- Connected with shock pack and has snap hook as attachment.
- 1.73" (44mm) wide tear webbing for energy absorption.
- 1.73" (44mm) wide polyester webbing as backup strap and stitched around the free end of tear webbing to form loops for attachment. The entire assembly folded and packed in thick Polyethylene sleeve with synthetic labels.
- Rope Grab is used for rope access.

WEBBING

Material: Polyester.
Width: 1.73" \pm 0.04" (44 \pm 1 mm)
Breaking strength: 5000 lbs. (Min)

STITCHING THREAD

Material: High Tenacity Polyester.

METAL COMPONENTS

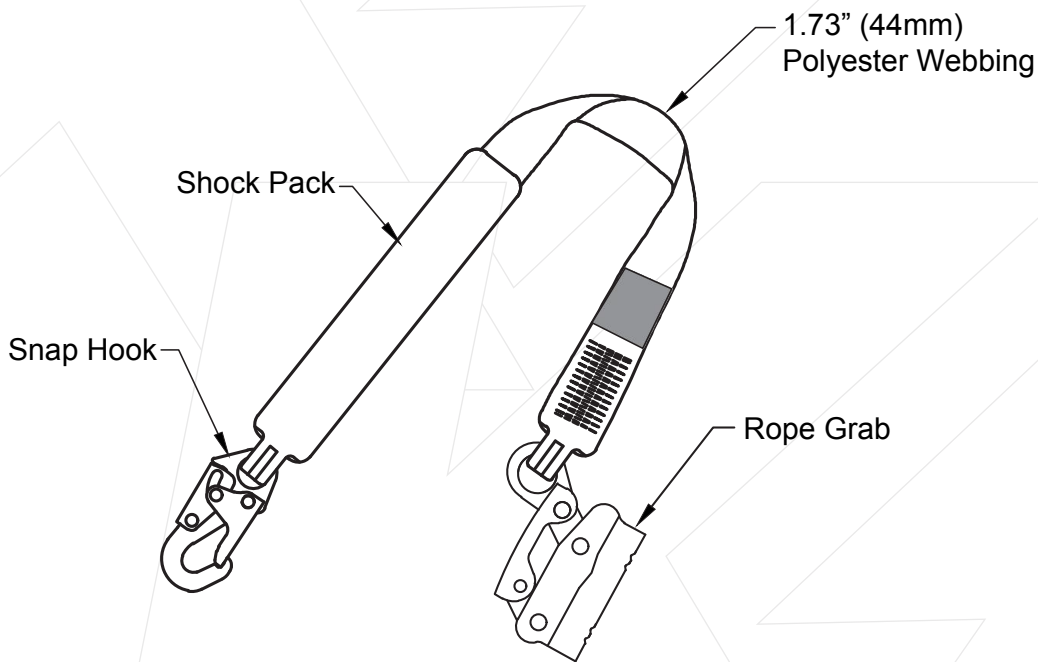
Material: Alloy Steel
Finish: Silver or Gold Yellow Galvanized

WEIGHT

2.69 lbs. \pm 0.02 lbs. (1220 gm \pm 10 gm)

RELEVANT STANDARDS

Meets or Exceeds ANSI Z359.1-2007



Meets or Exceeds ANSI Z359.1-2007

Length: 3 Feet