

KStrong® Riser Post Roof Anchor (ANSI)

Model: UFA55207SW(18)

DESIGN

- Anchor designed to be fixed on metal I Beam to install horizontal lifeline.
- The base have an adjustable opening to adopt to the type of Beam section.
- Easy and quick to install with help of nut & bolt (M12).
- Post comes with a pre-installed D-ring to make connections.

LENGTH (L)

18 in. (457.2mm)

COMPATIBLE WITH MINIMUM FLANGE WIDTH

5.91 in. (150mm)

COMPATIBLE WITH MAXIMUM FLANGE WIDTH

8.66 in. (220mm)

MATERIAL

Alloy steel

FINISH

ED Coated black

SYSTEM STRENGTH

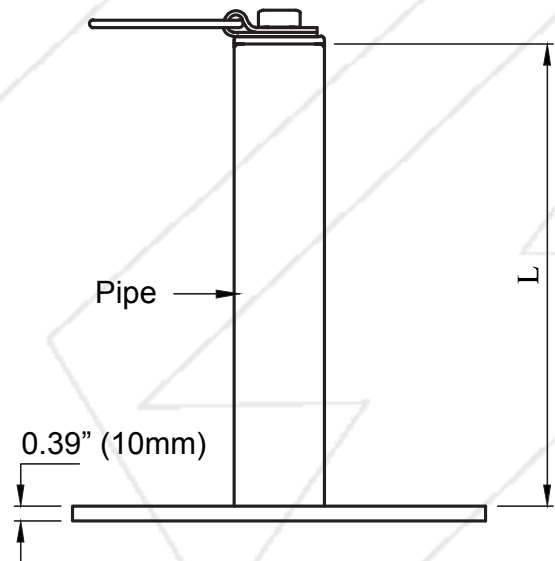
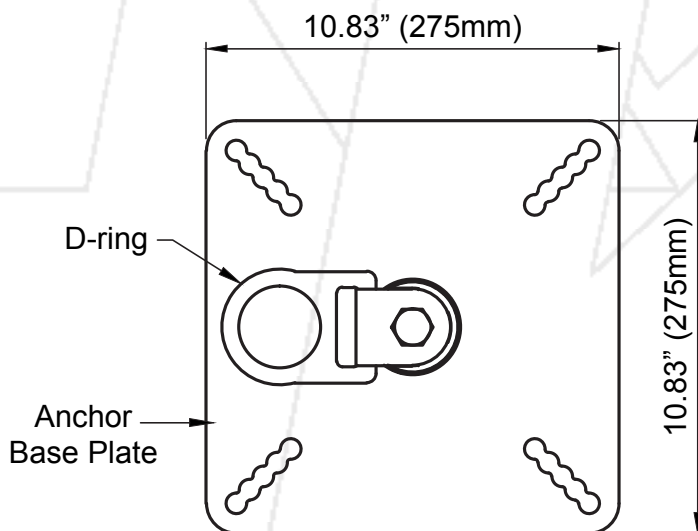
23 kN

WEIGHT

21.05 lbs. ± 0.44 lbs. (9.55 kg ± 0.20 kg)

RELEVANT STANDARDS

Meets or Exceeds ANSI Z359.18-2017 Type A



Batch #: _____ Serial #: _____
Date of First Use: _____