

KStrong® 5K Drop Thru Anchor with Swivel D-ring - 4" Round Plate with Variable Cable Length

Model: UFA30501

DESIGN

- Anchor design to be fixed on concrete steel deck or steel grating structure to create permanent anchor
- Anchor can be installed either at the time of pouring the concrete or by drilling through concrete
- Swivel eye to be used as anchorage point

MATERIAL

Swivel ring: Alloy steel
Finish: ED coated black

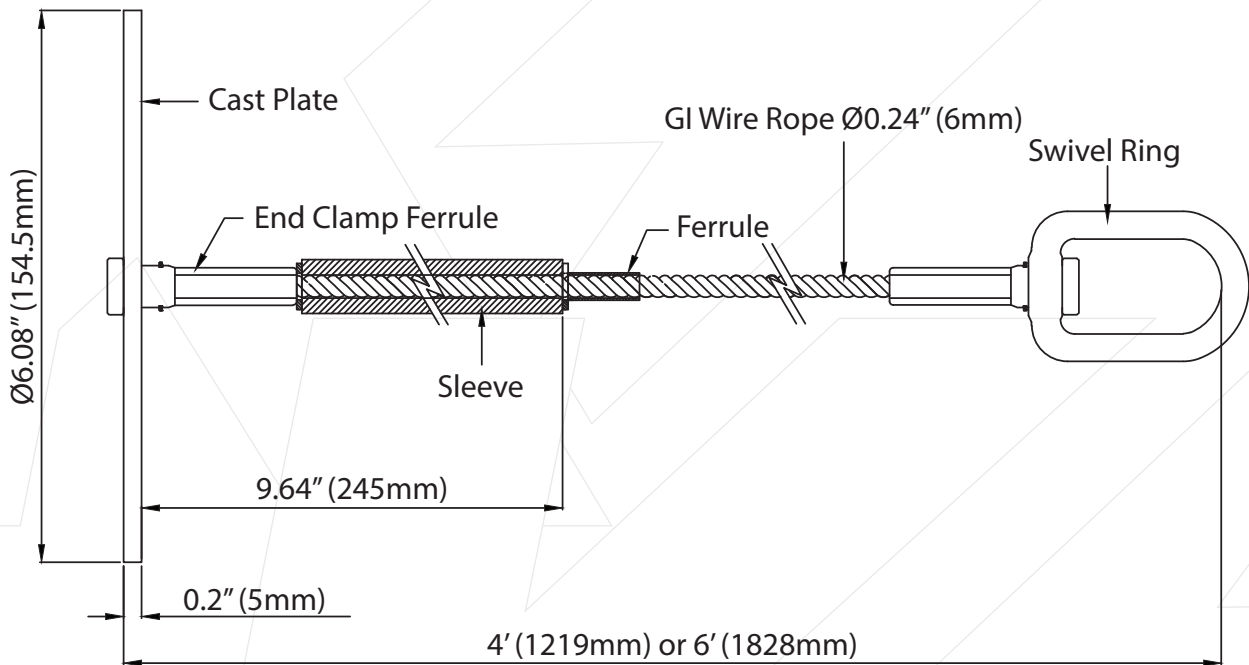
SYSTEM STRENGTH

5000 lbs.

RELEVANT STANDARDS

Meets or Exceeds ANSI Z359.1-2007

MODEL	CABLE LENGTH	WEIGHT
UFA30501	6 ft.	2.41 lbs. ± 0.02 lbs. (1093gm ± 10gm)
UFA30501(04)	4 ft.	2.16 lbs. ± 0.02 lbs. (980gm ± 10gm)



Batch #: _____ Serial #: _____
Date of First Use: _____