

## KStrong® Vertical Post for Containers (ANSI)

Model: UFA30430

### DESIGN

- Container anchor post is designed to provide a temporary anchor for working on top of 20 ft. - 40 ft. shipping containers.
- In addition to being used as a stand alone anchor post, it can also be used to form a horizontal lifeline over the top of a container depending upon the requirement of work to be done
- Comes with a side lock and tagline arrangement for easy and secure installation that can be performed by one person
- Four holes on the anchor plate can be used for making connections as anchor points
- Consists of side handle with special grip for easy carrying and safe transportation
- Can be easily removed without damaging the container

### MATERIAL

Alloy Steel

### FINISH

ED Coated Black

### SYSTEM STRENGTH

5000 lbs. (2268kg)

### VITAL TEST COMPLIANCE

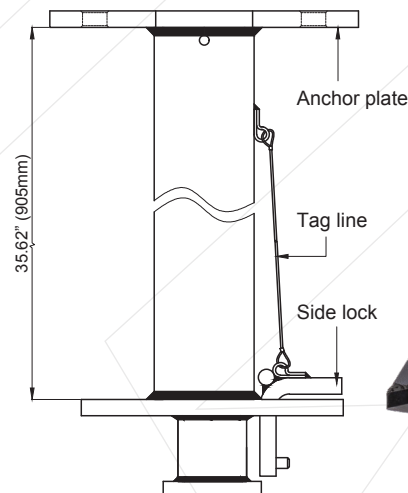
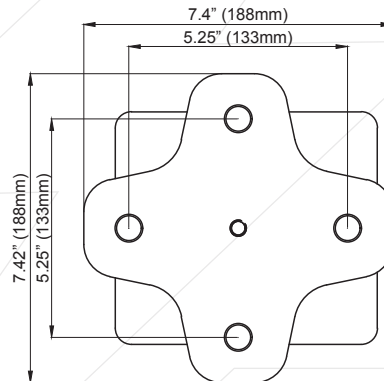
Static Strength: 5000 lbs. (2268 kg) for 3 Minutes

### WEIGHT

36.77 lbs ± 0.22 lbs. (16.68kg ± 100gm)

### RELEVANT STANDARDS

Meets or Exceeds ANSI Z359.18-2017 Type D



Meets or Exceeds ANSI Z359.18-2017 Type D