

KStrong® I-beam Stanchion Anchor (ANSI)

Model: UFA30420

A portable and extremely easy to install Anchor Post for installation of Horizontal Line on steel construction I-Beam sections.

DESIGN

- Anchor post designed to be installed on metal I-Beam
- Can be used as a stand-alone anchor post or to form a horizontal lifeline along the length of I-Beam
- The post comes with a unique tilted design to allow unobstructed movement of the user during the construction of roofs or metal structure
- Span lengths are adjustable with help of intermediates
- Compatible with I-Beam having flange width of 5.9" (150mm) to 8.66" (220mm)

MATERIAL

High strength alloy steel

FINISH

ED coated black

MINIMUM BREAKING STRENGTH

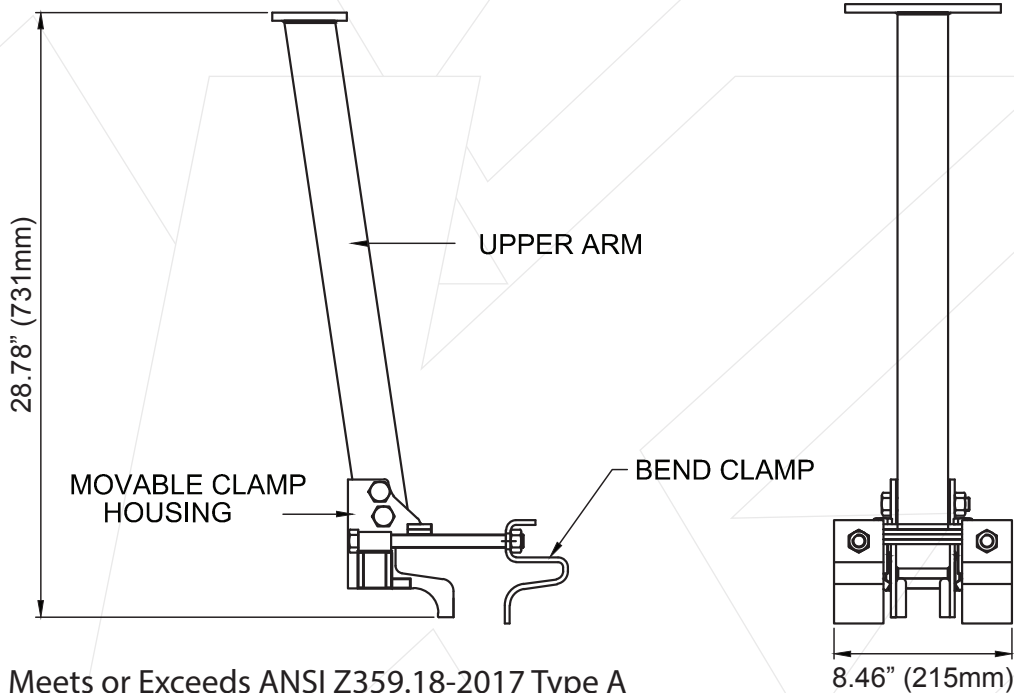
15kN

WEIGHT

28.22 lbs. ± 0.22 lbs. (13 kg ± 1 kg)

RELEVANT STANDARDS

Meets or Exceeds ANSI Z359.18-2017 Type A



Meets or Exceeds ANSI Z359.18-2017 Type A