

KStrong® 3/4" Removable Bolt Anchor for Concrete (ANSI)

Model: UFA30090

A removable and reusable anchor designed to work in 20mm (3/4") drilled hole in concrete substrates. This portable concrete anchorage connector can be used in a variety of fall protection applications.

DESIGN

- Anchor is capable of being installed on a concrete wall having minimum thickness of 5.90 inches through a predefined hole of 0.74 inches diameter.
- Easy to install on a concrete structure using a single hand.

MATERIAL

Cable: Galvanized Steel \varnothing 1/4 inch.
Clamping Jaws: Stainless Steel

MINIMUM BREAKING STRENGTH

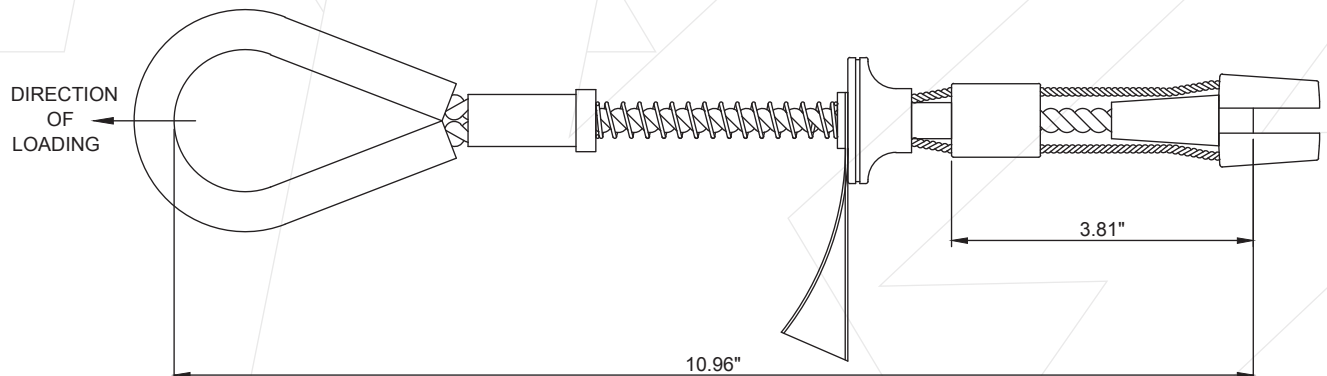
5000 lbs (2268 kg)

WEIGHT

0.419 lbs. \pm 0.011 lbs. (190 gm \pm 5 gm)

RELEVANT STANDARDS

Meets or Exceeds ANSI Z359.18-2017



Meets or Exceeds ANSI Z359.18-2017