

KStrong® Deadweight Roof Top Non-penetrating Freestanding Counterweight System

Model: UFA30061

DESIGN

- Deadweight Roof Top Non-penetrating Freestanding Counterweight System is designed to be used as an anchorage point where structural anchors are not available for the users working near a potential fall hazard.
- Comes with polymer base plate to provide better grip and stability with the mating surface.
- Compatible with different roof surfaces as bitumin, asphalt and concrete.
- Equipped with a central shock absorbing post which deploys in the event of a fall.
- Anchor post can be used in different configurations to perform various activities including the following:

APPLICATION	COUNTER WEIGHT	NO. OF USERS
Anchor Post for Fall Arrest	882 lbs. (400kg)	1
Suspension	882 lbs. (400kg)	1
Lifeline Intermediate	1102 lbs. (500kg)	1

MATERIAL

Counter Weight and Cross Arm - Alloy Steel
Shock Absorbing Post - Stainless Steel

FINISH

Counter Weight and Cross Arm - Powder Coated
Shock Absorbing Post - Electropolished / E-coated

SYSTEM STRENGTH

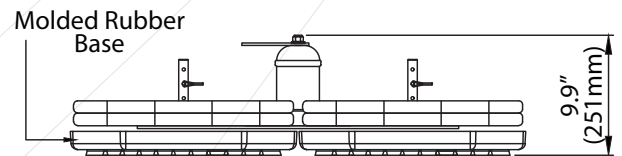
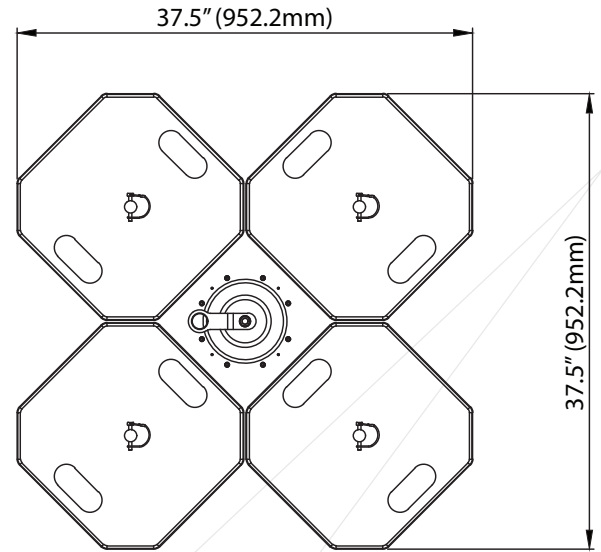
12 kN

WEIGHT

881.8 lbs. ± 0.02 lbs. (400kg ± 0.01kg)

RELEVANT STANDARDS

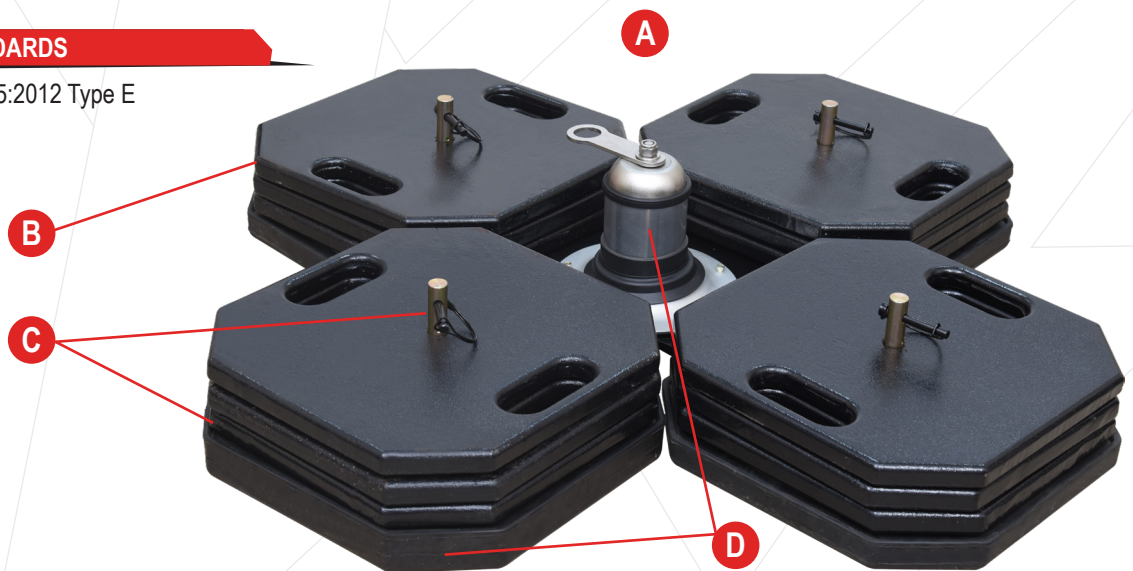
Meets or Exceeds EN 795:2012 Type E



PART

DESCRIPTION

A UFA30061	KStrong® Deadweight Roof Top Non-penetrating Freestanding Counterweight System (Comprised of Parts B, C, & D)
B UFA30061(01)SUB1	Set of 8 Casted Dead Weight Upper Plates
C UFA30061(02)SUB2	Set of 4 Molded Dead Weight Bottom Plates with Locking Stud and Cotter Pin
D UFA30061SUB3	Main Plate and Shock Assembly for the Deadweight Anchor Frame



Batch #: _____ Serial #: _____
Date of First Use: _____