

KStrong® Concrete Embed Anchor Strap with Loops on Both Ends - Variable Lengths (ANSI)

KStrong® Concrete Embed Anchor Strap with loops and sleeve (ANSI)

MODEL	LENGTH	WEIGHT
UFA21004	4 ft.	0.37 lbs. ± 0.02 lbs. (170 gm ± 10 gm)
UFA21006	6 ft.	0.55 lbs. ± 0.02 lbs. (250 gm ± 10 gm)

DESIGN

- Made up of 1.73 in. (44mm) wide polyester webbing.
- 1.97 in. (50mm) tubular webbing for extra protection.
- Both ends have textile loop.

WEBBING

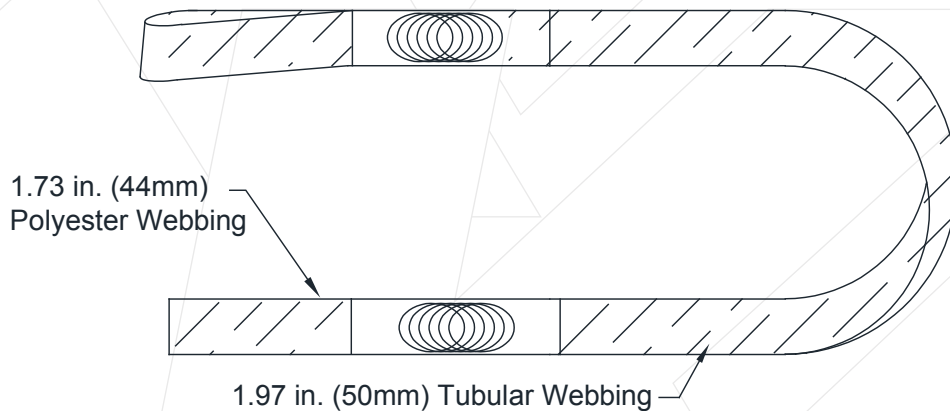
Material: Polyester
Breaking Strength: 5000 lbs. (Min.)
Width: 1.73 in. (44 mm) + 0.03 in. (1 mm)

STITCHING THREAD

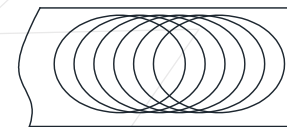
High Tenacity Polyester

RELEVANT STANDARDS

Meets or Exceeds ANSI Z359.18-2017 TYPE T



Meets or Exceeds ANSI Z359.18-2017 TYPE T



Stitching Pattern
Length: 4 ft. or 6ft.