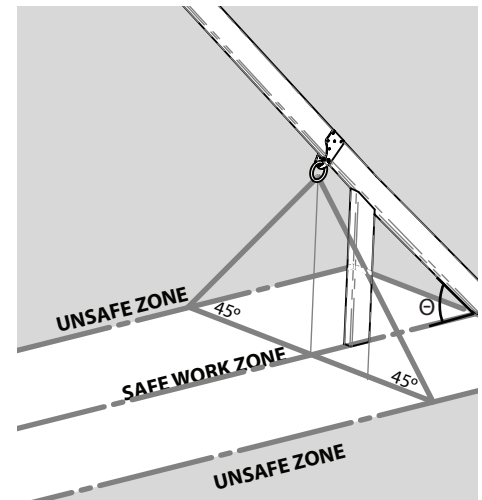
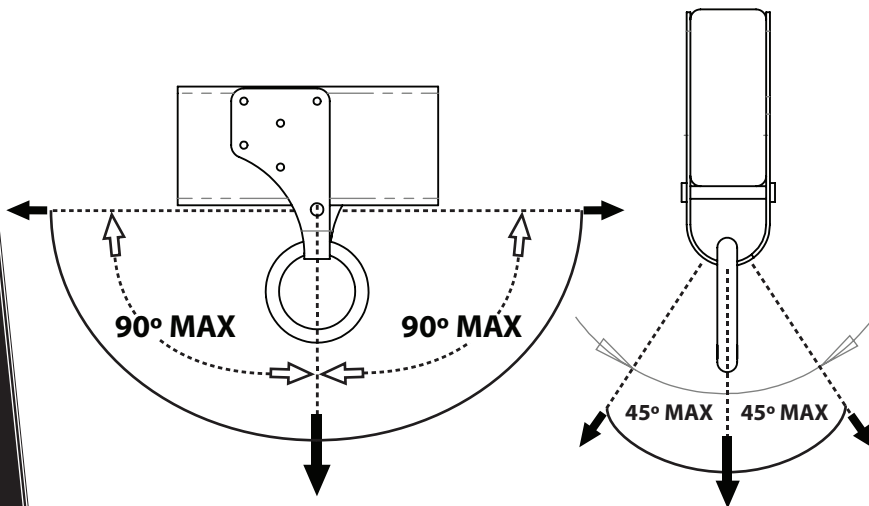
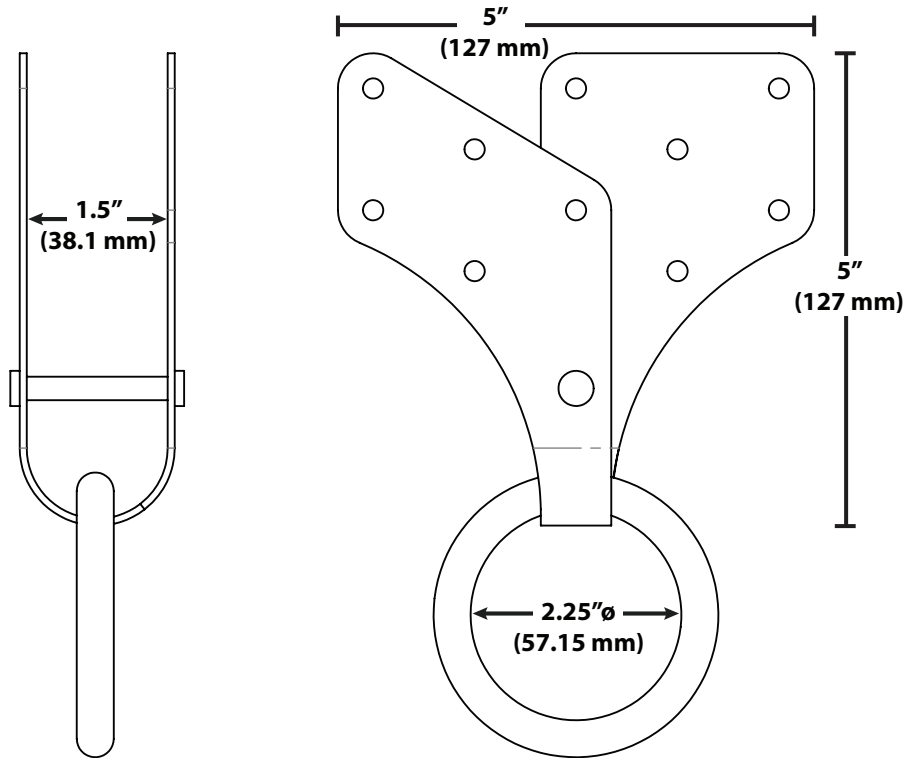


DESCRIPTION

Wood Truss Anchor: 1,800-lbf / 8 kN Anchor

Weighing only 0.7-lbs / .32kg the Wood Truss Anchor can be installed in a variety of wooden beams at a multitude of angles.



SPECIFICATIONS

- ▼ **Minimum Breaking Strength**
1,800-lbf / 8kN
- ▼ **Max User Weight**
310-lbs / 140kg
- ▼ **Max Arrest Force**
900-lbf / 4kN

MATERIALS

- ▼ **Wood Truss Anchor**
Zinc Plated Steel, Stainless Steel

PRODUCT CONFIGURATIONS

MODEL	APPLICATION	COLOR	WEIGHT
UFA000WT	Wood Truss Anchor	Silver Zinc	0.7-lbs / .32 kg