

# KStrong® Kaptor™ Tool Cinch, Dual Wing, Medium Duty, 35 lbs. (ANSI)

Model: DL200201



## DESIGN

- Webbing tool attachment made in 0.98" (25mm) polyester webbing with D-ring at one end and webbing loop at other end
- Provided with a lightweight D-ring

## MATERIAL

Webbing - 0.98" (25mm) Polyester.  
D-ring - Alloy Steel

## CAPACITY

80 lbs. (36.29kg)

## LENGTH

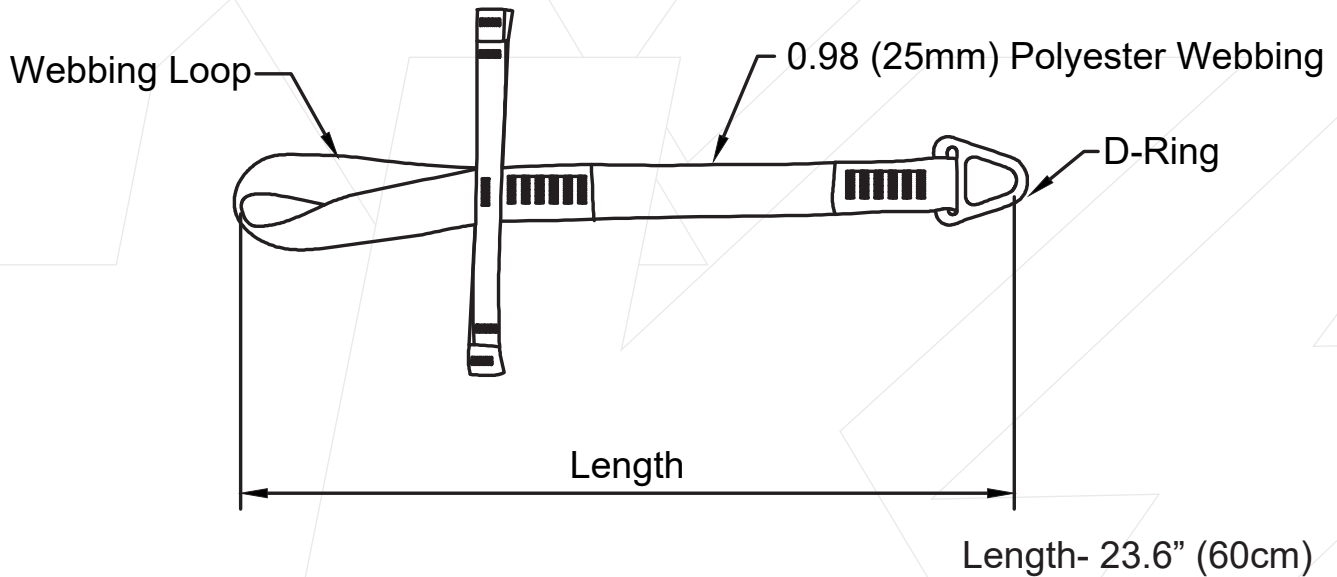
23.6" (60cm)

## WEIGHT

0.19 lbs. ± 0.01 lbs. (90 gm ± 5 gm)

## RELEVANT STANDARDS

Meets or Exceeds ANSI/ISEA 121-2023



Batch #: \_\_\_\_\_ Serial #: \_\_\_\_\_  
Date of First Use: \_\_\_\_\_