

KStrong® Kaptor™ Web Tool Tails M - 4.5 inches, 3 lbs. (ANSI)

Model: DL100302

KAPTOR™
TOOL LANYARDS

DESIGN

- Medium tool attachment made in 0.59" (15mm) polyester webbing with D-ring at one end and folded end at other end
- Provided with a lightweight D-ring

MATERIAL

Webbing - 0.59" (15mm) Polyester.
D-ring - Alloy Steel

CAPACITY

3 lbs. (1360gm)

LENGTH

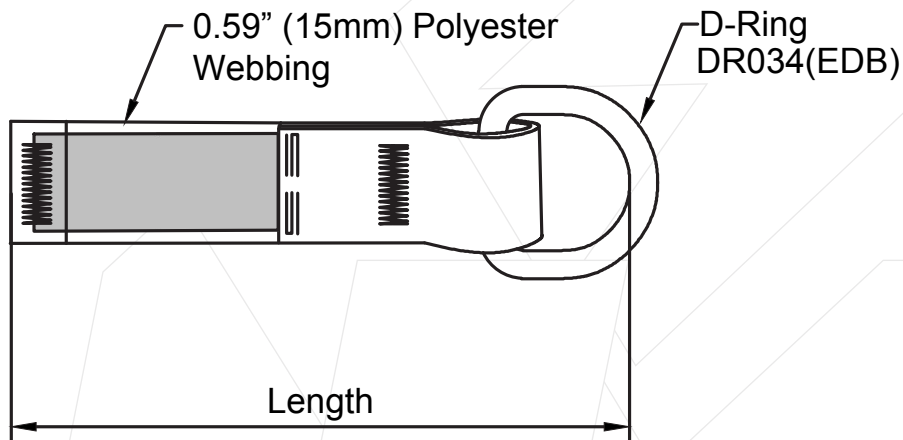
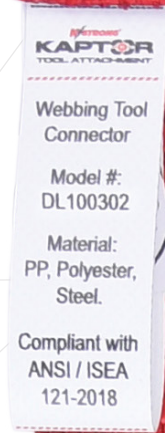
4.5" (114mm)

WEIGHT

0.017 lbs. ± 0.002 lbs. (8 gm ± 1 gm)

RELEVANT STANDARDS

Meets or Exceeds ANSI/ISEA 121-2018



Length- 4.5" (114mm)

Meets or Exceeds ANSI/ISEA 121-2018

KStrong® Kaptor™ Coiled Cable Lanyard - 2 lbs. (ANSI)

Model: DL100501

KAPTOR™
DROP PREVENTION

DESIGN

- Extendable tether used to connect a tool with the user's harness or to an anchor.
- Made up of 2mm GI wire PU coated to 5mm diameter.
- Equipped with stainless steel carabiner with a captive eye at both ends. One end has a swivel.
- When properly used it helps to prevent the tool from being dropped from a height resulting in injury to a person below or damage to the tool itself.

MATERIAL

Carabiner - Stainless Steel; Finish: Electropolished / E Coated

MAX LOAD CAPACITY

2.2 lbs.

LENGTH

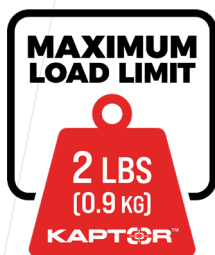
Relaxed: 4" (101.6mm)
Expanded: 60" (1524mm)

WEIGHT

0.368 lbs. ± 0.011 lbs. (167gm ± 5gm)

RELEVANT STANDARDS

Meets or Exceeds ANSI/ISEA 121-2018



Batch #: _____ Serial #: _____
Date of First Use: _____

KStrong® Kaptor™ Self-Adhering Tape Trap - 12 ft. Roll

Model: DT700101

Self-Adhering Tape Trap - 12 ft. Roll

DESIGN

- Self-Bonding, doesn't rely on chemical adhesives
- Heat resistant to 150° Celsius
- Resistant to water and oil
- Very resilient and long lasting

BOND STRENGTH

Max. Load: 21.5 N

SHORE HARDNESS

A/42/1

TEAR STRENGTH

11.9 kN/m

TENSILE STRENGTH

7.43 MPa

LENGTH

12 ft.

RELEVANT STANDARDS

Meets or Exceeds ANSI/ISEA 121-2018

KAPTOR™
DROP PREVENTION

